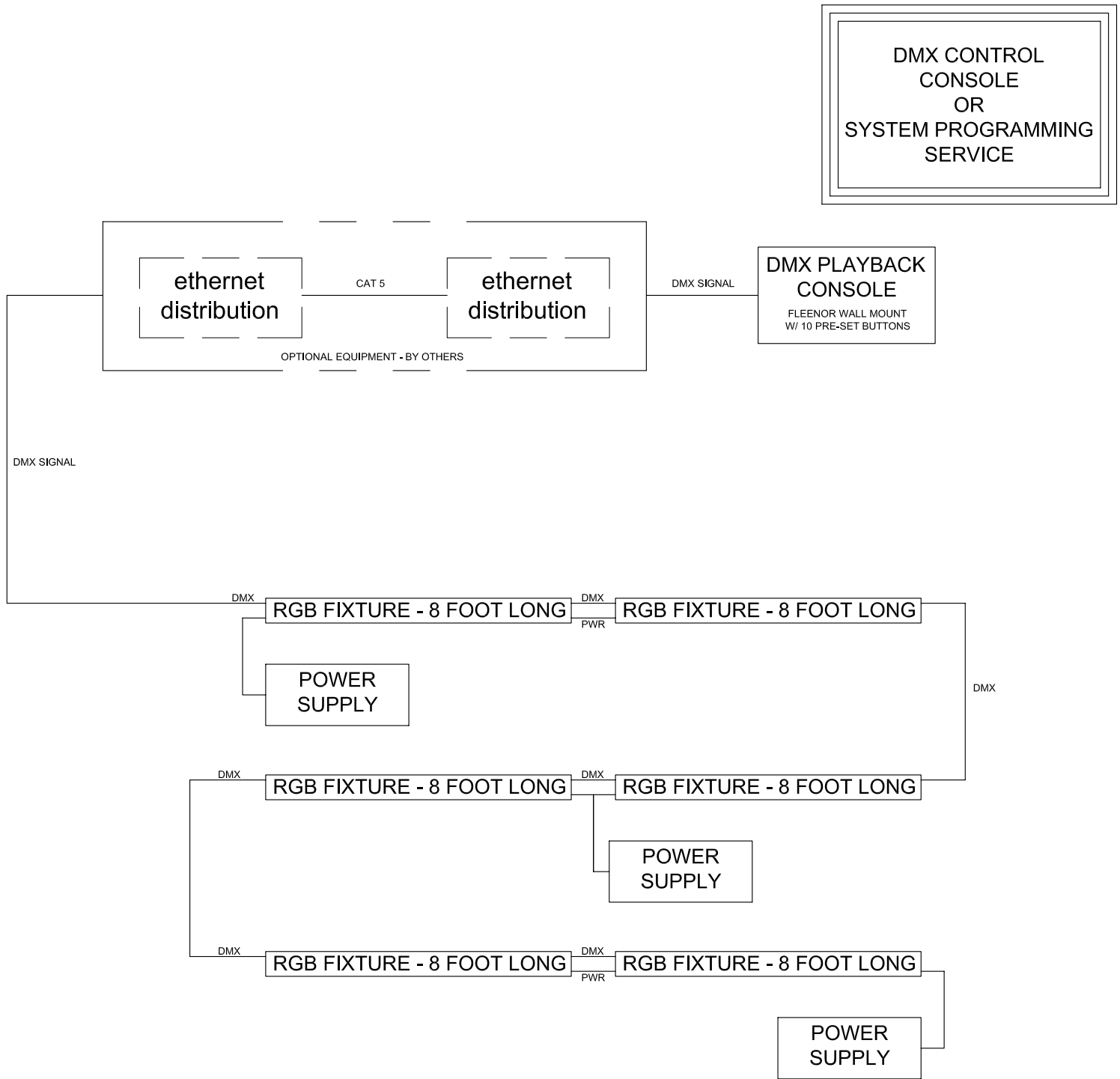



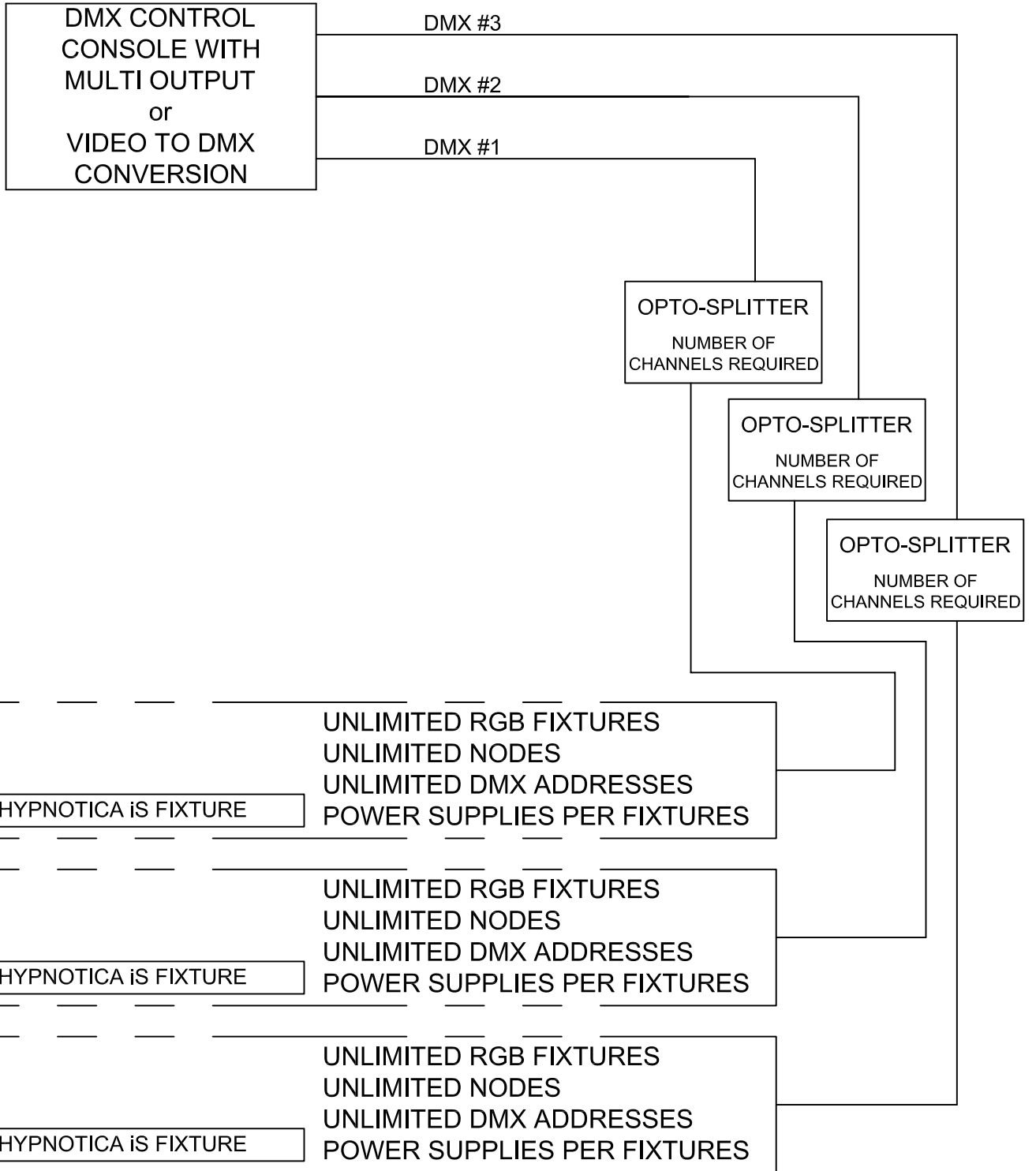
BASIC RISER DIAGRAM




NOTES:
 $\frac{1}{4}$ DMX LOAD PER FOOT = 128 FEET MAX RUN FOR A SINGLE DMX LINE
 SMALLEST INCREMENT (NODE)
 3 DMX ADDRESSES PER NODE OR 6 DMX ADDRESSES PER FOOT (2 NODES)
 16 FEET OF STICKS PER SINGLE 100W POWER SUPPLY

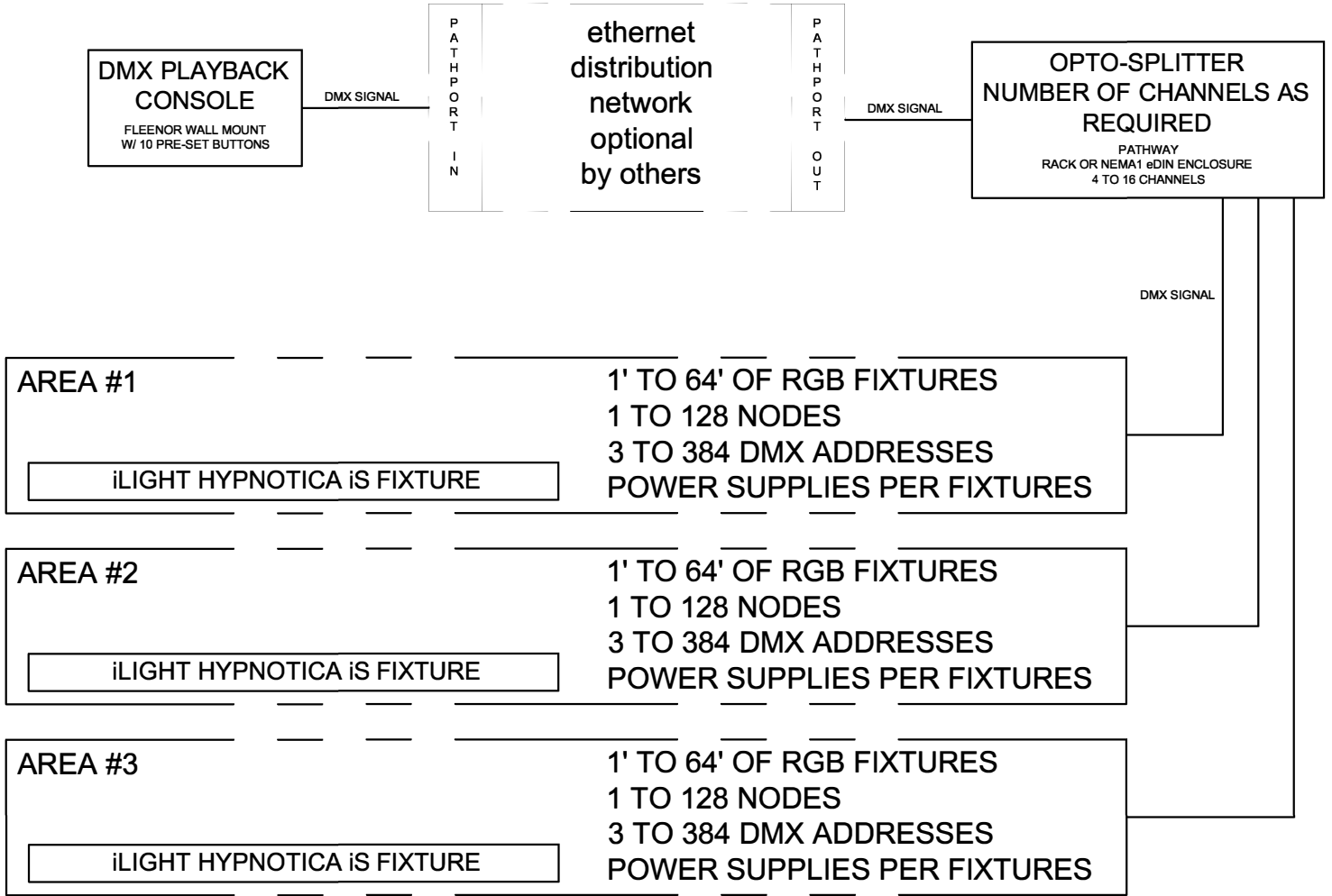
APPROVAL	SCALE NONE	SHEET OF 1 of 8	ROHS COMPLIANT OPTIONAL	P/N F422-011	REV A
TITLE HYPNOTICA iS - DMX/RDM				 <p>118 S. Clinton St. Suite 370 Chicago, IL 60661 www.ilight-tech.com Tel: 312-876-8630 Fax: 312-876-8631</p>	


MULTIPLE UNIVERSE RISER DIAGRAM



APPROVAL	SCALE NONE	SHEET OF 3 of 8	ROHS COMPLIANT OPTIONAL	P/N F422-011	REV A
TITLE HYPNOTICA iS - DMX/RDM			 <p>118 S. Clinton St. Suite 370 Chicago, IL 60661 www.ilight-tech.com Tel: 312-876-8630 Fax: 312-876-8631</p>		

SINGLE UNIVERSE RISER DIAGRAM



APPROVAL	SCALE NONE	SHEET OF 2 of 4	ROHS COMPLIANT OPTIONAL	P/N F422-011	REV B
TITLE HYPNOTICA iS - DMX/RDM				 118 S. Clinton St. Suite 370 Chicago, IL 60661 www.ilight-tech.com Tel: 312-876-8630 Fax: 312-876-8631	

MULTIPLE UNIVERSE RISER DIAGRAM

