

Plexineon White 1X Series

PRODUCT SUMMARY



PRODUCT FEATURES

- Four Kelvin temperatures
- Energy efficient
- Long lifetime
- Stable and consistent color temperature
- Low voltage
- Easy to install
- Cool to the touch
- For use as exterior or interior accent lighting, direct view or indirect view applications, coves & more

Color Temperatures (+/- 10%)

- 2800K
- 3500K
- 4500K
- 6500K

Diffuser Color (when not illuminated)

- Light amber hue

Lengths Available

- Standard lengths: 2', 4', 6', 8' (610 mm, 1219 mm, 1830 mm, 438 mm)
- Factory custom lengths available to the nearest 1/2" (13mm) +/- 0.25" (6mm)¹
- 2' (610mm) field cuttable pieces
- Illuminated outside corner pieces
- Factory convex or concave bends to minimum inside radius of 5" (127mm)¹
- Factory "easy bends" to a 3/16" (5mm) radius¹
- Gentle field bends to a 48"(1219mm) radius²

1. Drawing required for production

2. Field bending allowed only on fixtures without C-channel

Power Supply

- Class 2, 24 VDC, 100 Watts - must be supplied by iLight
- Primary voltage: 120 or 120-277 depending on model
- Secondary voltage: 24VDC 4.1 A Max
- Maximum illumination length of a single 100W power supply 32 feet (9.75m)

Power Supply Tips

- 20% maximum overage for breaker for primary current draw
- Do not plug multiple power supplies into one run of Plexineon
- All iLight power supplies should be on an independent circuit
- Recommend surge protection upstream from power supply
- Verify correct voltage prior to wiring to non-switching power supplies

Low Voltage Cable

Maximum distance of low voltage cable in any given run:

- 14 AWG: 40 feet (12.19m)
- 12 AWG: 60 feet (18.29m)
- 10 AWG: 100 feet (30.48m)

ORDERING INFORMATION

CLASS	VOLTAGE	COLOR	HOUSING	LENGTH	CHANNEL	VERSION
T	24		S			
T = Trim	24 = 24V	White W28 = 1X 2800K W35 = 1X 3500K W45 = 1X 4500K W65 = 1X 6500K	S = Silver	2F = 2 Feet 4F = 4 Feet 6F = 6 Feet 8F = 8 Feet CL = Custom Length PC = Outside Corner RT = 2 Foot Corner Cuttable TT = 2 Foot Cuttable BE = Bend - Easy BN = Bend - Convex BV = Bend - Concave	NC = No Channel SC = Stainless Steel Channel	00 = With Connectors 01 = Without Connectors

Specification sheets are subject to change without notice. For the most recent version, please refer to www.ilight-tech.com.

Plexineon White 1X Series

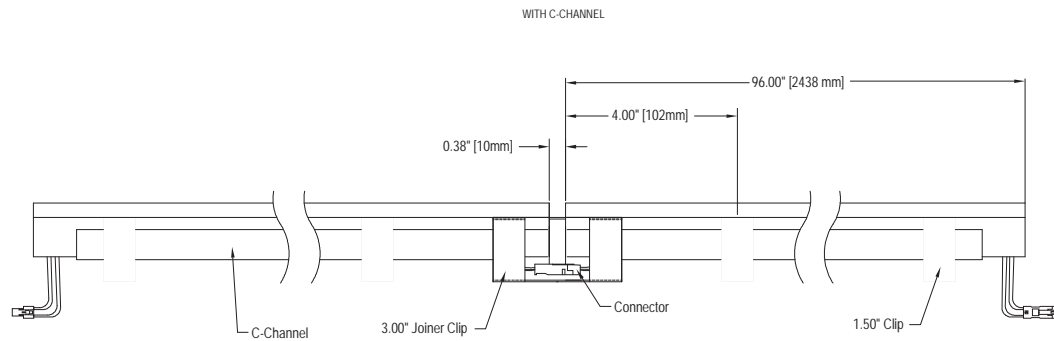
TECHNICAL INFORMATION

MECHANICAL	<p>Width & Height Housing</p> <ul style="list-style-type: none"> • 0.55"(14mm)w x 1.47"(37mm)h with C-channel • UV and impact resistant acrylic diffuser • UV resistant plastic channel • Stainless steel C-channel for mechanical support <p>Minimum Piece Spacing</p> <ul style="list-style-type: none"> • Linear (end to end) = $\frac{3}{8}$" (10mm) • Parallel (edge to edge) = 1" (25mm) <p><small>*The minimum space for ventilation surrounding the Plexineon product is 1.0'. This distance should be maintained on the three sides, left and right of the product as well as in front of product. Other configurations subject to specific application testing.</small></p>	<p>Mounting</p> <ul style="list-style-type: none"> • Stainless steel spring mounted clips • Clips to be 2" (51mm) in from end of piece and no more than 2' (610mm) maximum between clips <p>Power Supply Weight</p> <ul style="list-style-type: none"> • Electronic (Advance) Power Supply is 2 lbs. (0.9kg) • Outdoor Magnetic Hybrid (Justin) Power Supply is 9 lbs. (4 kg) <p>Power Supply Dimensions</p> <ul style="list-style-type: none"> • Electronic (Advance) = 9.50" x 1.18" x 1.70" (242mm X 30mm X 43mm) • Outdoor Magnetic Hybrid (Justin) = 11.25" x 3.25" x 3.36" (286mm x 83mm X 85mm)
ELECTRICAL	<p>Load Voltage 24 V DC</p> <p>Load Current 82 mA/foot at 24VDC (270 mA/meter) 1.97 watts/foot (6.46 watts/meter)</p> <p>Maximum Run Length 32 feet (9.75m) with an iLight approved power supply</p>	<p>DC Cable</p> <ul style="list-style-type: none"> • 14 AWG, PVC/Nylon Type TC 600 Volt power and control cable or equivalent • FT-4 fire rating • Class 2 wiring system • Connectors: Molex Splashproof - JIS D0203 S2 <p>Electrical Tips</p> <ul style="list-style-type: none"> • Only use iLight approved power supplies • Do not cut non-cutttable pieces
ENVIRONMENTAL	<p>Operating Temperature Range -25°C to 50°C (-13°F to 122°F)</p> <p>Storage Temperature Range -25°C to 75°C (-13°F to 167°F)</p>	<p>Certification</p> <ul style="list-style-type: none"> • Complies with CE, UL 1598 and CSA c22.2 No. 250 in Luminaire, Wet Location. IP67. Plexineon is MetLabs listed. MetLabs is a Nationally Recognized Testing Laboratory (NRTL). • Power Supplies are RU listed. RU stands for Recognized Components by Underwriters Laboratory.

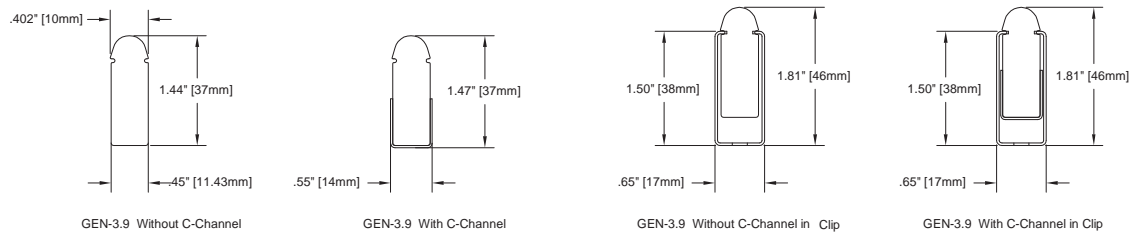
Plexineon White 1X Series

TECHNICAL INFORMATION

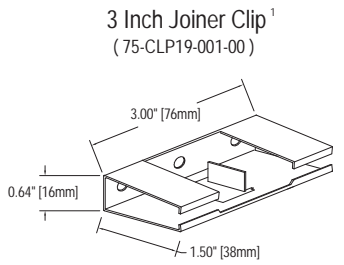
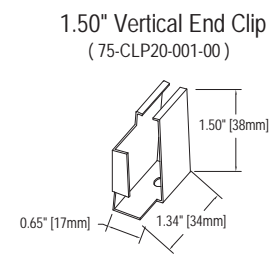
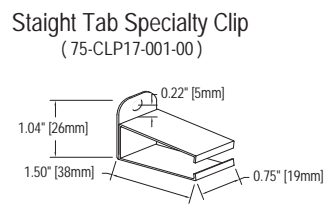
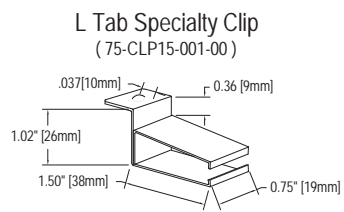
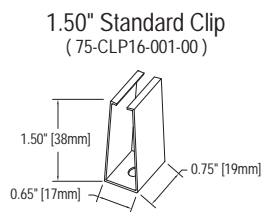
PLEXINEON PROFILE



PLEXINEON CROSS SECTIONS



MOUNTING CLIPS

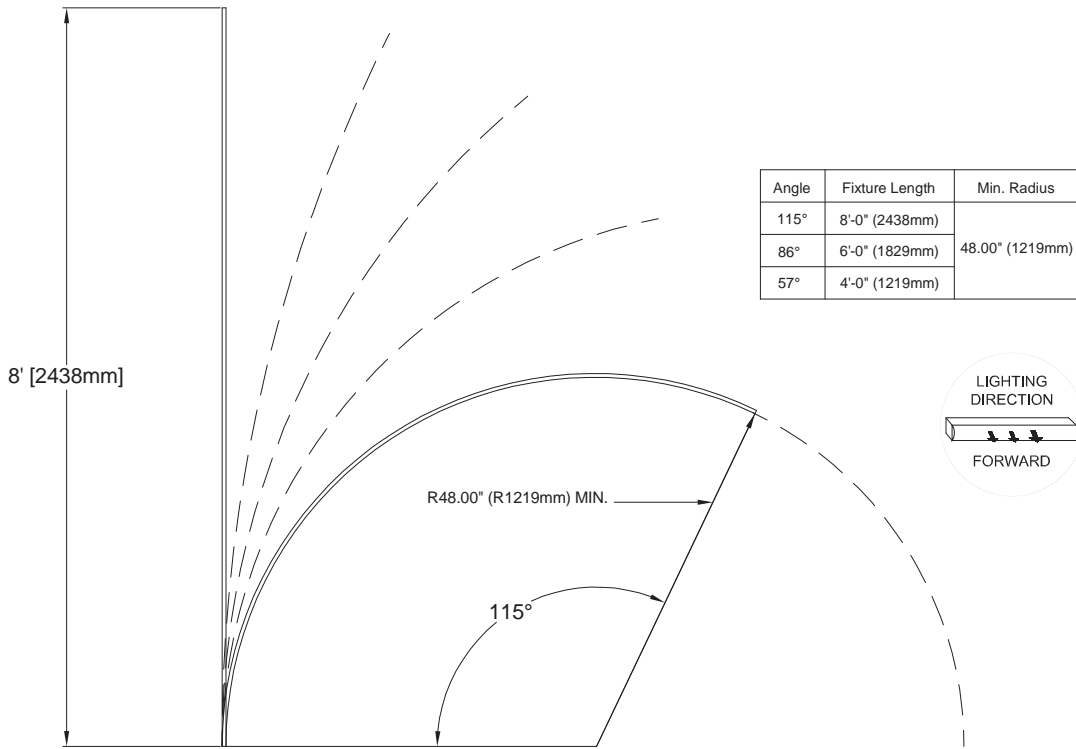


* Mounting hole 3/16"
1 - Used for both horizontal & vertical applications

Plexineon White 1X Series

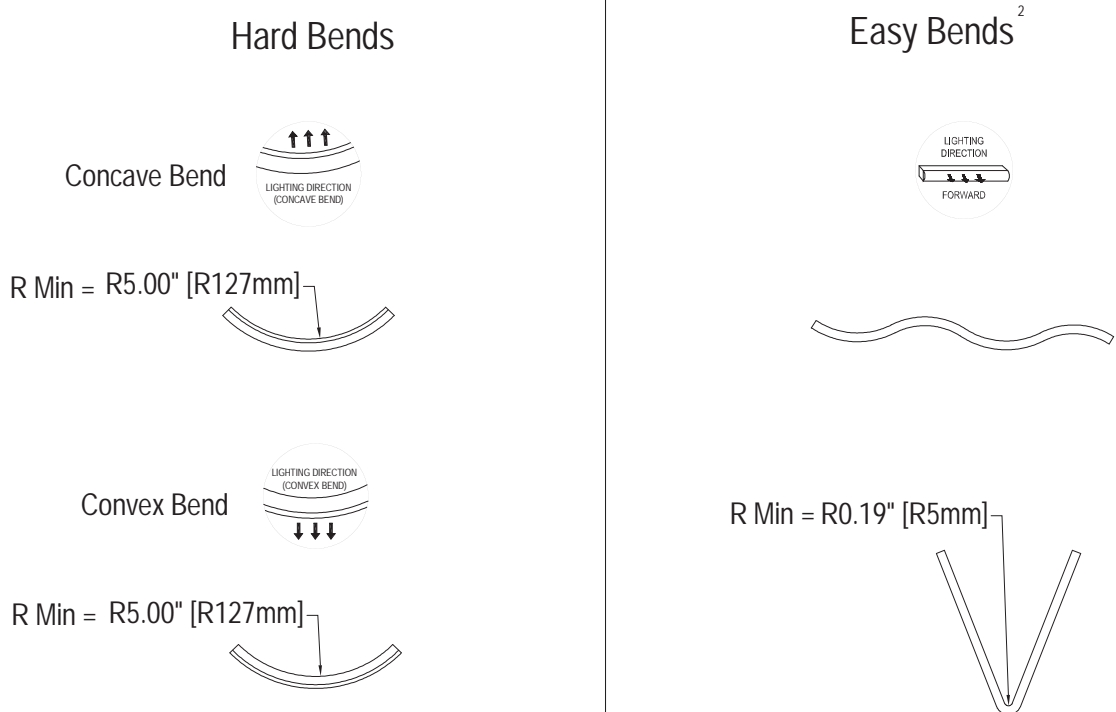
TECHNICAL INFORMATION

PLEXINEON FIELD BENDING¹⁻³



Note 1: Field bending shown in easy direction. Cannot field bend into convex or concave bends.
 Note 2: Easy direction refers to bend axis parallel to light direction.
 Note 3: Field bending allowed only on fixtures without C-channel.

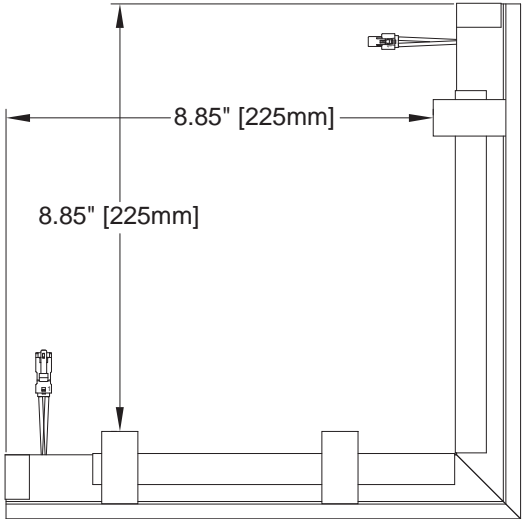
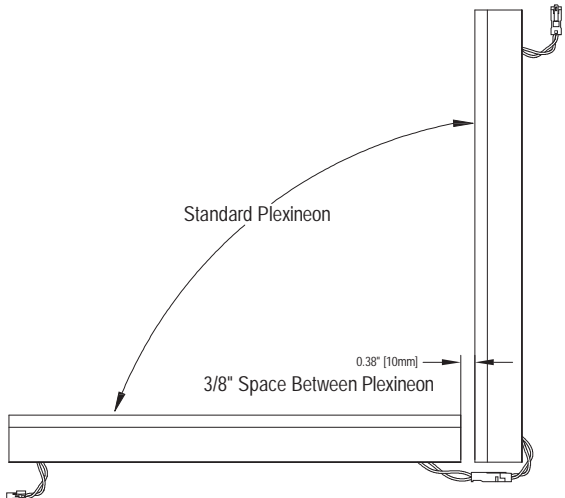
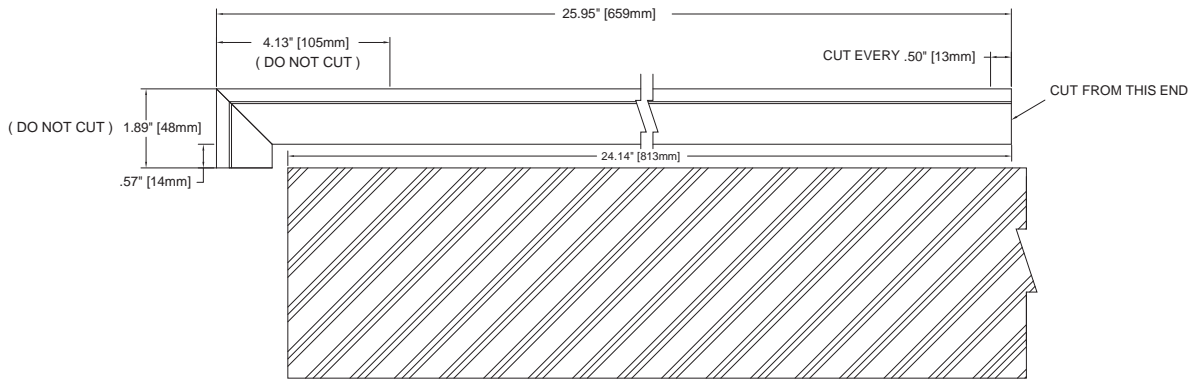
PLEXINEON FACTORY BENDING



Note: The maximum length for any factory bent fixture is 92".

Plexineon White 1X Series

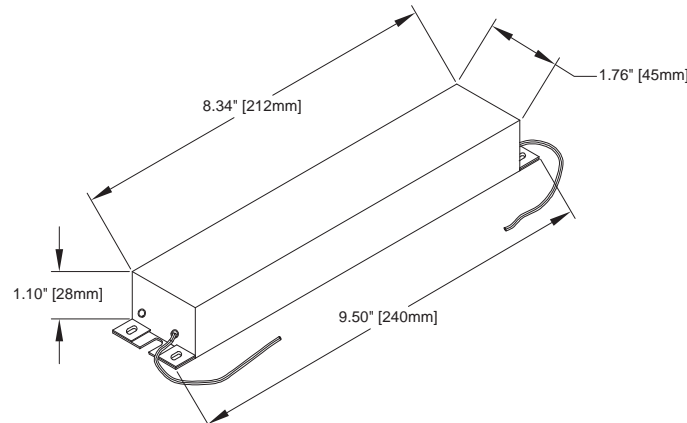

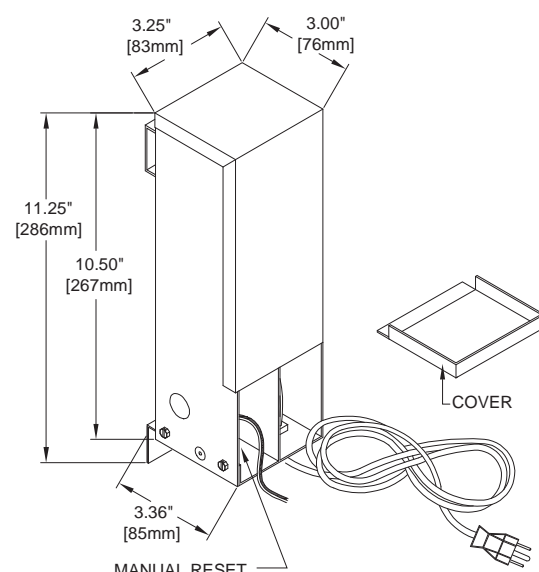

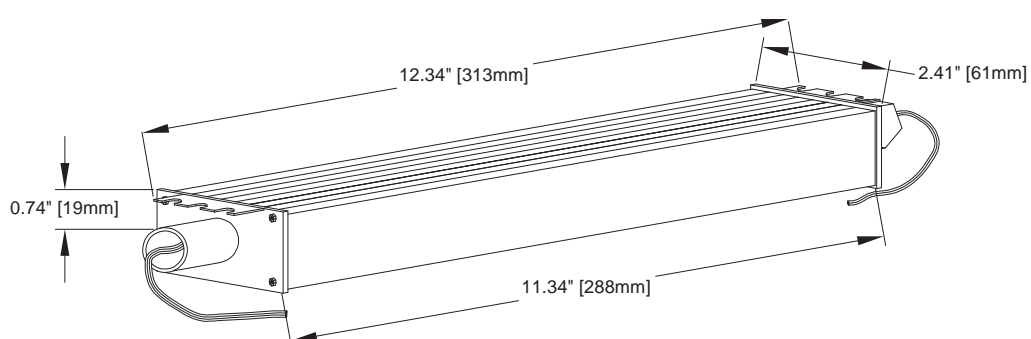
TECHNICAL INFORMATION

<p>OUTSIDE CORNER</p>	 <p>8.85" [225mm]</p> <p>8.85" [225mm]</p>
<p>INSIDE CORNER</p>	 <p>Standard Plexineon</p> <p>3/8" Space Between Plexineon</p> <p>0.38" [10mm]</p>
<p>CORNER CUTTABLE</p>	 <p>4.13" [105mm] (DO NOT CUT)</p> <p>25.95" [659mm]</p> <p>1.89" [48mm] (DO NOT CUT)</p> <p>.57" [14mm]</p> <p>24.14" [613mm]</p> <p>CUT EVERY .50" [13mm]</p> <p>CUT FROM THIS END</p>

Plexineon White 1X Series

TECHNICAL INFORMATION

Plexineon Power Supplies

<p>ELECTRONIC (ADVANCE) POWER SUPPLY</p>		<p>65-ADV100W24V Input: 120-277VAC 50/60Hz Output: 24VDC 4Amax RU Listed for U.S. and Canada Additional Enclosure Required Supplied by others 2lbs. (0.9kg)</p> <p>DRY DAMP</p> 
<p>MAGNETIC HYBRID (JUSTIN) POWER SUPPLY IN 3R ENCLOSURE</p>		<p>65-PWR09-001-00 Input: 120VAC 50/60Hz Output: 24VDC 4Amax RU Listed for U.S. Enclosed in NEMA 3R Enclosure 9lbs. (4kg)</p> <p>DRY DAMP</p> 
<p>MAGTECH POWER SUPPLY</p>		<p>65-24-96W-MAG Input: 100-277VAC 60Hz Output: 24VDC 4Amax RU Listed for U.S. 2lbs. (0.9kg)</p> <p>DRY DAMP WET</p> 