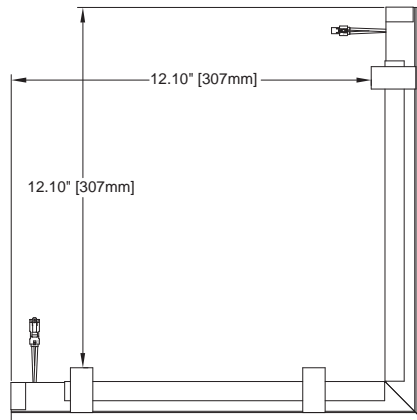


Plexineon Color Series Outside Corner (Amber, Orange, Red, Daytime Red)

PRODUCT FEATURES:

- Perfect for outside corners of buildings or other surfaces
- Bright, even-toned color
- Durable construction
- Mitered edge for sharp look
- Easy to install

Amber, Orange, Red & Daytime Red



Light Colors

- Amber
- Orange
- Red
- Daytime Red *

Diffuser Color (when not illuminated)

- Frosted
- Red *

Backing Colors

- Silver

Width & Height Housing

- 0.55" (14mm) w x 1.47" (37mm) h (with C-channel)
- UV and impact resistant acrylic diffuser
- UV resistant plastic channel
- Stainless steel C-channel for mechanical support

Mounting

- Stainless steel spring mounted clips
- Clips should be 2" (51mm) in from end of piece and one on the mitered edge for a total of 3 clips.

ORDERING INFORMATION

CLASS	VOLTAGE	COLOR	HOUSING	LENGTH	CHANNEL	VERSION
T	24		S	PC	SC	
T = Trim	24 = 24V	AMB = Amber ORG = Orange RED = Red DRD = Daytime Red	S = Silver	PC = Outside Corner	SC = Stainless Steel Channel	00 = With Connectors 01 = Without Connectors

Specification sheets are subject to change without notice. For the most recent version, please refer to www.ilight-tech.com.