

# Vertical Plexineon Specialty 1.50" Mounting Clip

## PRODUCT SUMMARY

### Vertical Plexineon Specialty 1.50" Clip

#### Size

- 1.50" (38mm) tall
- Screw placement hole: 1/8" in diameter

#### Material

- Stainless steel

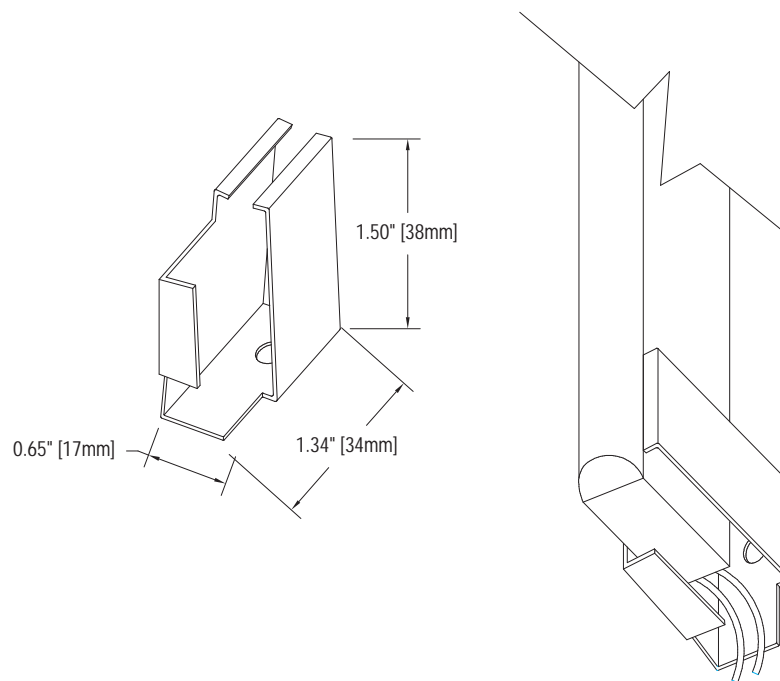
#### Color Available

- Silver

#### Use

- Designed for vertical mounting surfaces
- To be used on the bottom of every vertical fixture, or used at the bottom of a vertical run when used in combination with the 3.00" Joiner Mounting Clip
- For use on fixtures with and without supportive C-channel

### Vertical Plexineon Specialty 1.50" Mounting Clip Diagram



## ORDERING INFORMATION

Ordering Number:	75-CLP20-001-00	Single clip
	75-CLP20-010-00	Bag of 10 clips

Specification sheets are subject to change without notice. For the most recent version, please refer to [www.ilight-tech.com](http://www.ilight-tech.com).

Product Application

Plexineon