

Plexineon Specialty 3.00" Joiner Mounting Clip

PRODUCT SUMMARY

Plexineon Specialty 3.00" Joiner Mounting Clip

Size

- 1.50" (38mm) tall X 3.00" (76mm) wide
- Screw placement hole: 1/8" in diameter

Material

- Stainless steel

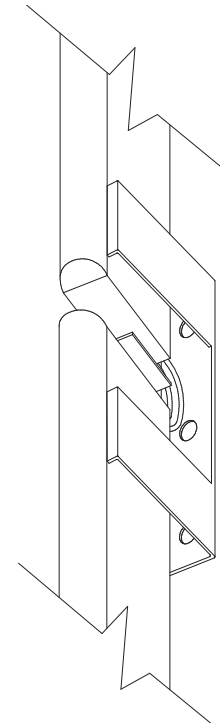
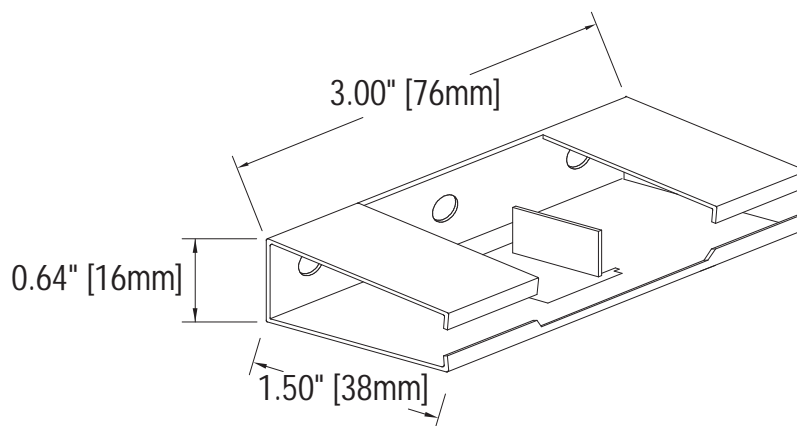
Color Available

- Silver

Use

- Ensures correct alignment when connecting one Plexineon fixture to an adjacent fixture
- Designed for use in horizontal and vertical applications
- Provides a convenient place to hide wires and connectors
- For use on fixtures with & without C-channel

Plexineon Specialty 3.00" Joiner Mounting Clip



ORDERING INFORMATION

Ordering Number:

75-CLP19-001-00

75-CLP19-010-00

Single clip

Bag of 10 clips

Specification sheets are subject to change without notice. For the most recent version, please refer to www.ilight-tech.com.

Product Application

Plexineon