

Plexineon Corner Cuttable Fixture

PRODUCT SUMMARY

Plexineon Cuttable Fixture

Colors

- Amber
- Blue
- Daytime Red *
- Green
- Magenta *
- Orange
- Red
- Rose ***
- Teal
- Yellow **

White 1X & 2X**** (+/- 10%)

- 2800K
- 3500K
- 4500K
- 6500K

Intended Use

- Designed for the best functionality of a corner fixture and a cuttable fixture together

Features

- Fixture is cuttable in 1/2" (13mm) increments
- Provided with electronic grade silicone sealant and exterior grade wire nuts

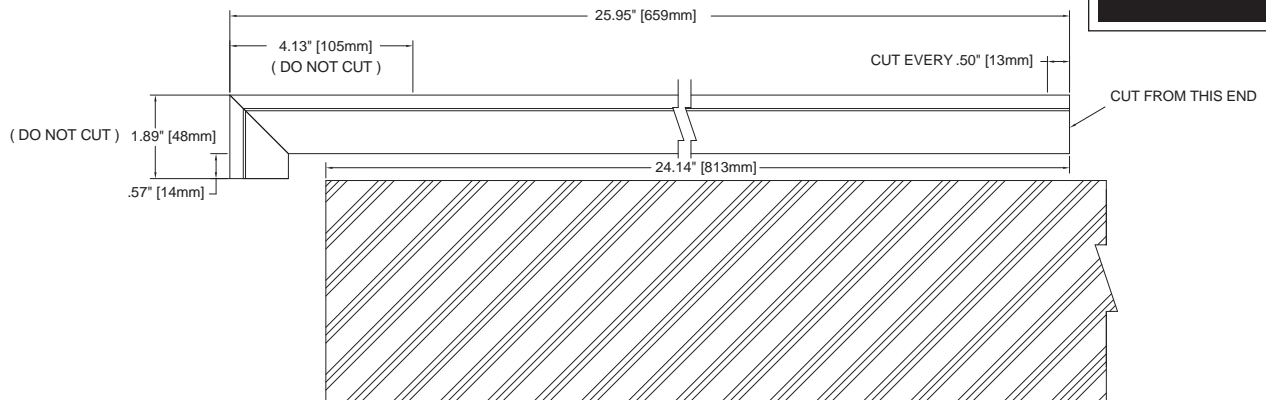
Length Available

- 2' (610mm)

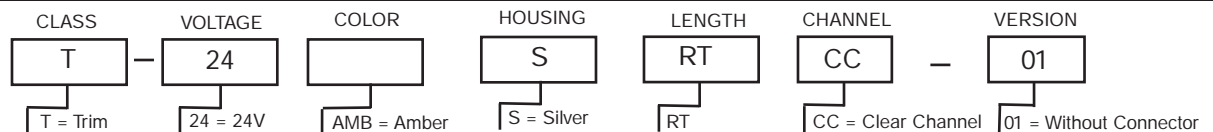
Diffuser Color (when not illuminated)

- Frosted
- Red *
- Pink ***
- Yellow **
- Light amber hue ****

Plexineon Corner 2' (610mm) Cuttable Fixture



ORDERING INFORMATION



AMB = Amber
 BLU = Blue
 DRD = Daytime Red
 GRN = Green
 MAG = Magenta
 ORG = Orange
 RED = Red
 ROS = Rose
 TEA = Teal
 YEL = Yellow

W28 = White 1X 2800K
 W35 = White 1X 3500K
 W45 = White 1X 4500K
 W65 = White 1X 6500K

X28 = White 2X 2800K
 X35 = White 2X 3500K
 X45 = White 2X 4500K
 X65 = White 2X 6500K

Specification sheets are subject to change without notice. For the most recent version, please refer to www.ilight-tech.com.