

Magtech Outdoor Power Supply

TECHNICAL INFORMATION

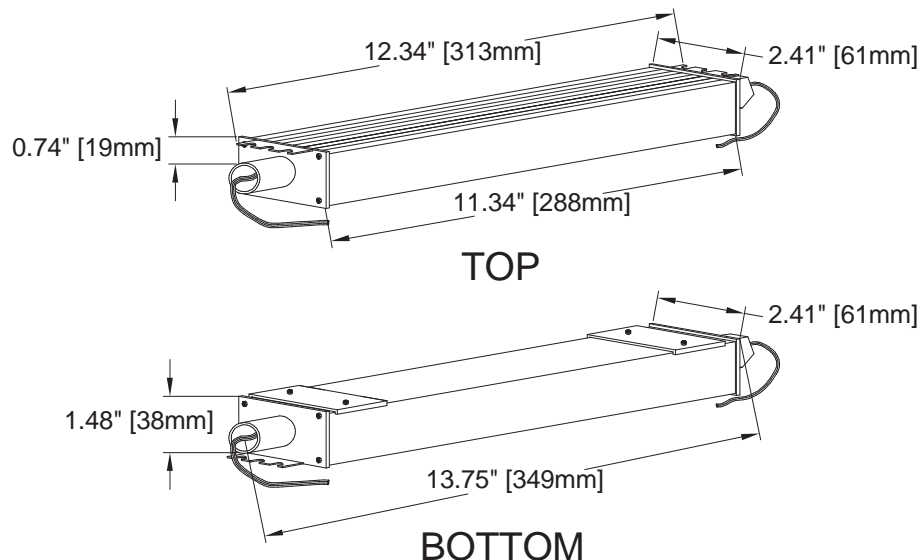
100-277V Outdoor Power Supply

Features

- Input: 100-277VAC 60Hz maximum current 1.5A-0.47A, 47-63Hz
- Output: 24VDC 4A Max regulated inherently limited Class 2 power unit
- Meets IP66 standards with additional glands (glands included)
- Model is suitable for wet location with adequate end plates and liquid tight glands
- RU listed for the U.S.*, CE Certified & ROHs compliant
- Dimensions: 13.75" (349mm) x 2.41" (61mm) x " 1.48" (38mm)
- Auto-recovery overload protection
- Manufacturer's warranty of 3 years

*RU is a recognized component covered under UL's recognition service. Final acceptance of the component is dependent upon its installation. For more information about Recognized Components, visit UL's Website at <http://www.ul.com/about/glossary.html>.

Description	Input		Output			Case Temp Max (°C)	Weight (Grams)
	Volts (V)	Current Max (A)	Power Max (W)	Voltage Norm (V)	Current Max (A)		
96 Watt	100	1.5	96.0	24.0	4.0	85	967
	240	0.75					
	277	0.47					



ORDERING INFORMATION

Order Number: 65-24-96W-MAG

Product Application

Plexineon &
Hypnotica iS

Specification sheets are subject to change without notice. For the most recent version, please refer to www.ilight-tech.com.