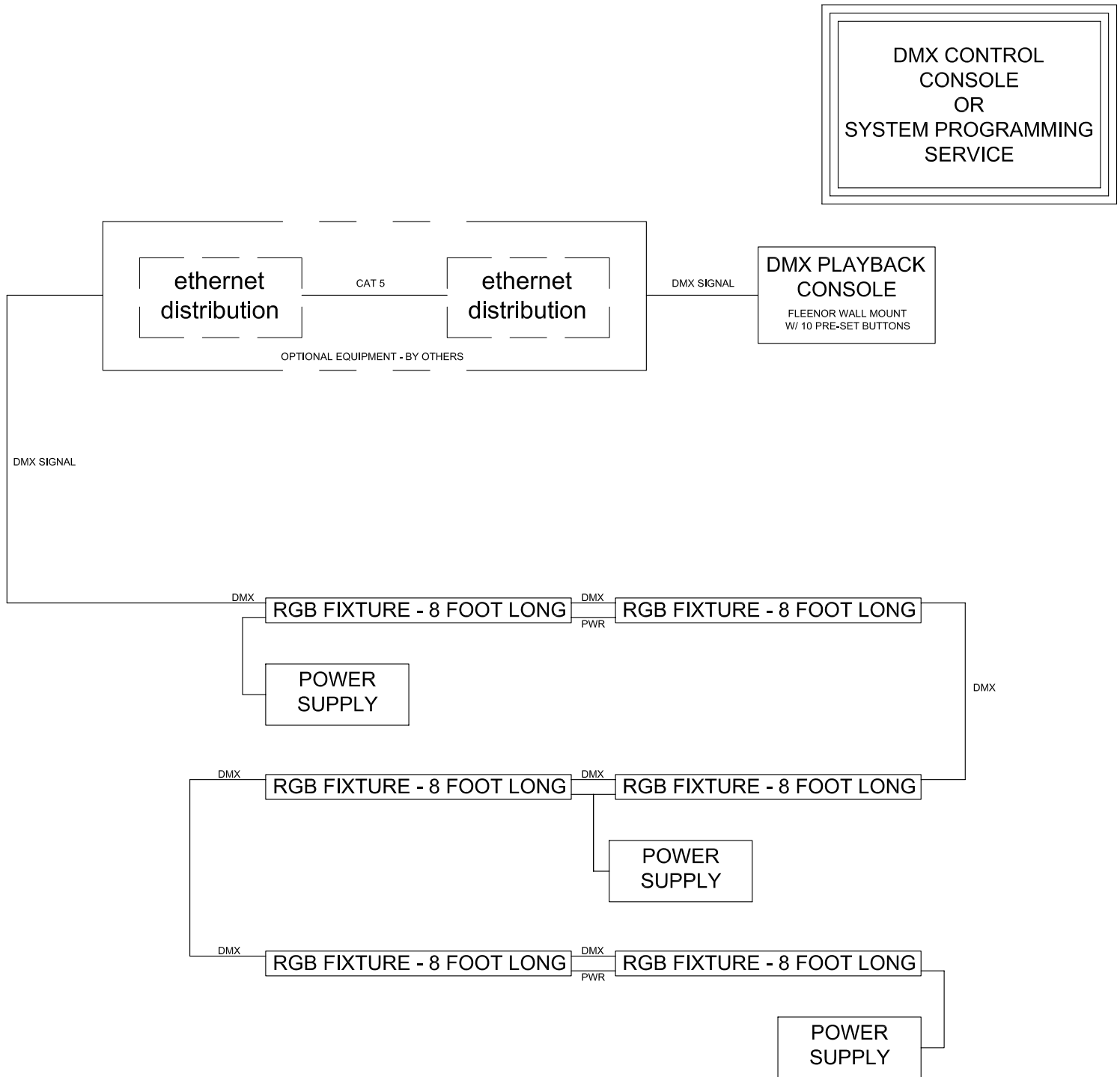



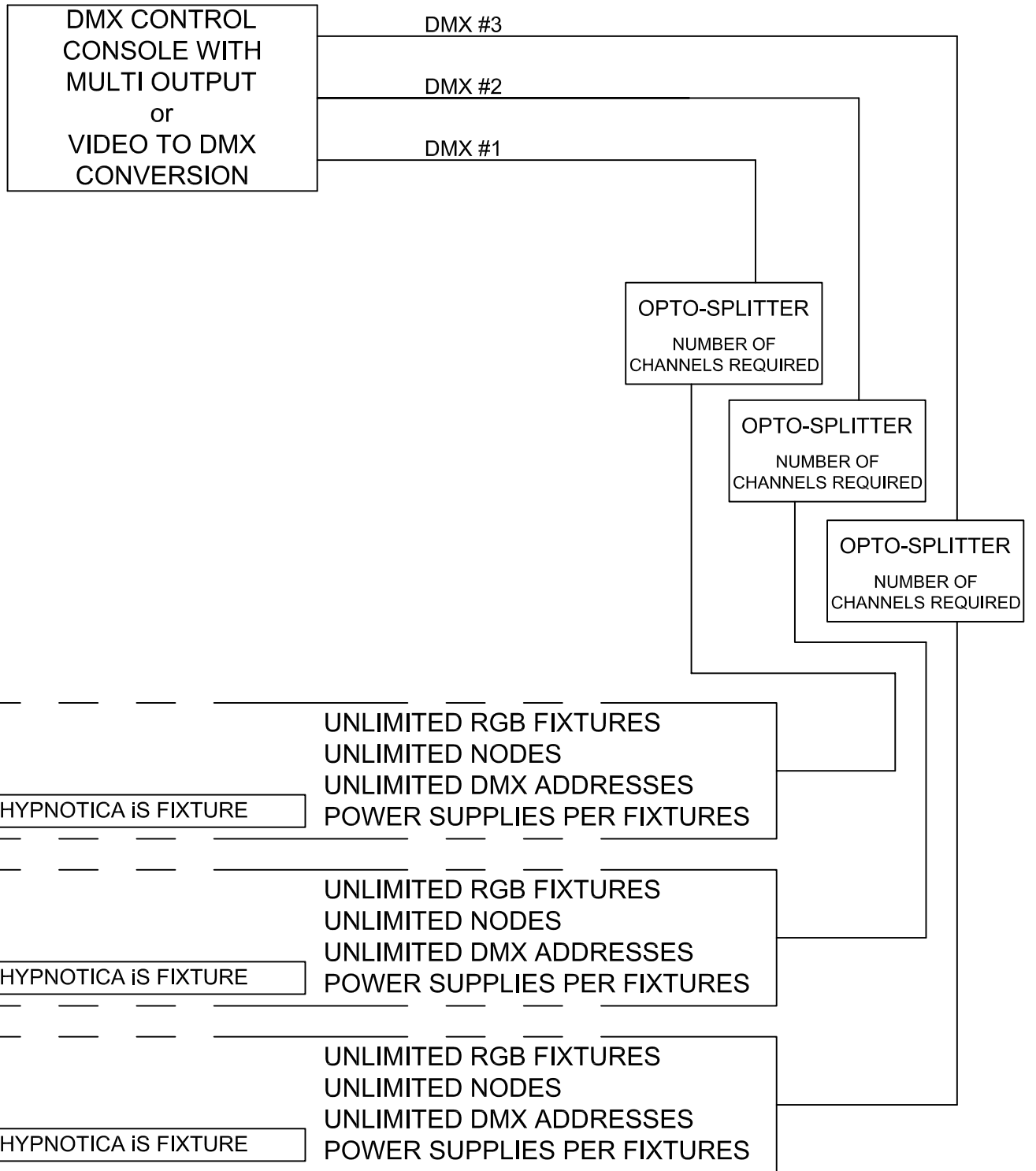
BASIC RISER DIAGRAM




- NOTES:
- 1/4 DMX LOAD PER FOOT = 128 FEET MAX RUN FOR A SINGLE DMX LINE
 - SMALLEST INCREMENT (NODE)
 - 3 DMX ADDRESSES PER NODE OR 6 DMX ADDRESSES PER FOOT (2 NODES)
 - 16 FEET OF STICKS PER SINGLE 100W POWER SUPPLY

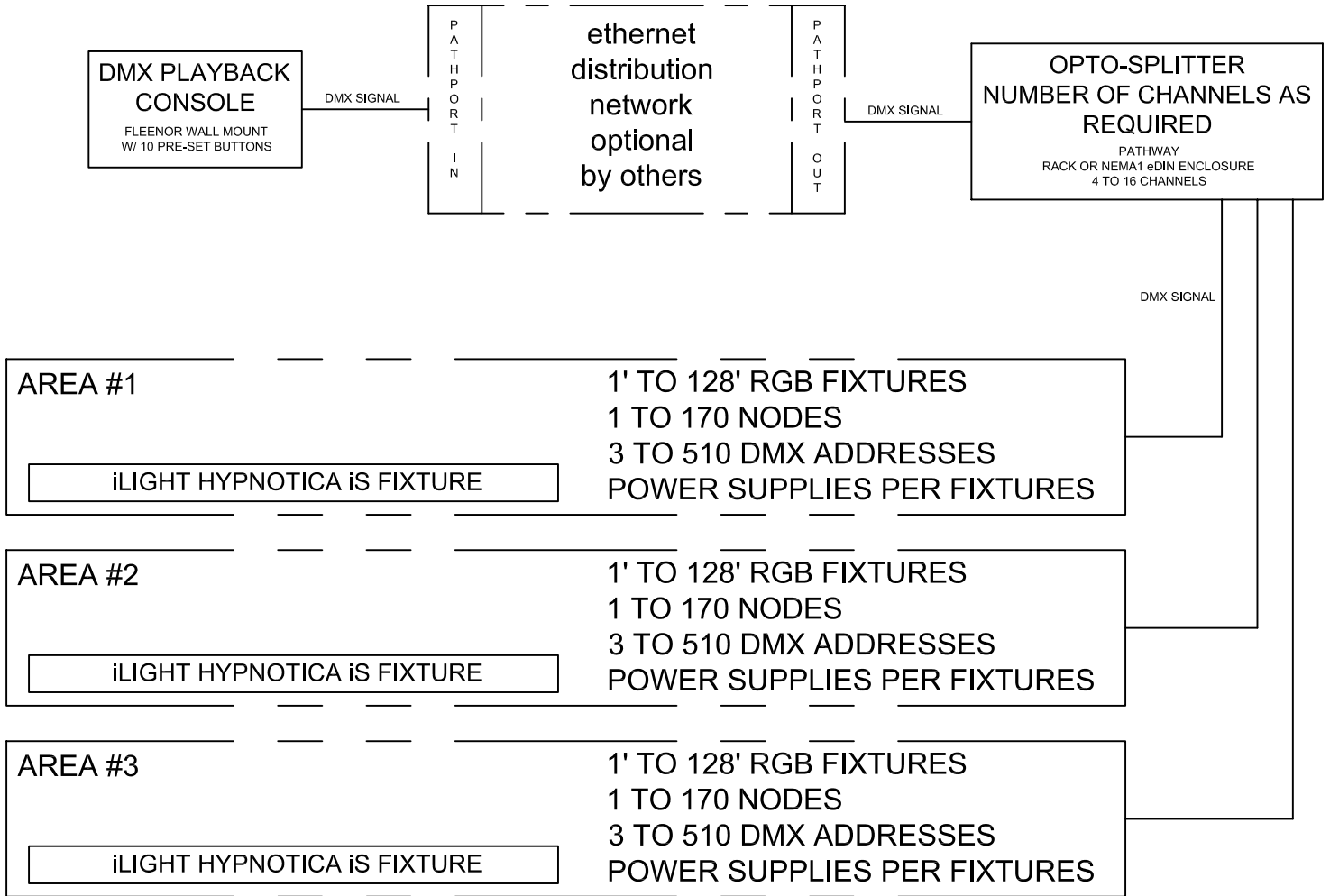
| | | | | | |
|--|---------------|--------------------|----------------------------|---|----------|
| APPROVAL | SCALE NONE | SHEET OF 1 of 8 | ROHS COMPLIANT OPTIONAL | P/N F422-011 | REV A |
| TITLE HYPNOTICA iS - DMX/RDM | | | |  <p>118 S. Clinton St. Suite 370 Chicago, IL 60661 www.ilight-tech.com Tel: 312-876-8630 Fax: 312-876-8631</p> | |


MULTIPLE UNIVERSE RISER DIAGRAM



| | | | | | |
|--|---------------|--------------------|----------------------------|---|----------|
| APPROVAL | SCALE NONE | SHEET OF 3 of 8 | ROHS COMPLIANT OPTIONAL | P/N F422-011 | REV A |
| TITLE HYPNOTICA iS - DMX/RDM | | | |  <p>118 S. Clinton St. Suite 370 Chicago, IL 60661 www.ilight-tech.com Tel: 312-876-8630 Fax: 312-876-8631</p> | |

SINGLE UNIVERSE RISER DIAGRAM



| | | | | | |
|--|---------------|--------------------|----------------------------|--|----------|
| APPROVAL | SCALE NONE | SHEET OF 2 of 8 | ROHS COMPLIANT OPTIONAL | P/N F422-011 | REV A |
| TITLE HYPNOTICA iS - DMX/RDM | | | |  118 S. Clinton St. Suite 370 Chicago, IL 60661 www.ilight-tech.com Tel: 312-876-8630 Fax: 312-876-8631 | |

MULTIPLE UNIVERSE RISER DIAGRAM

