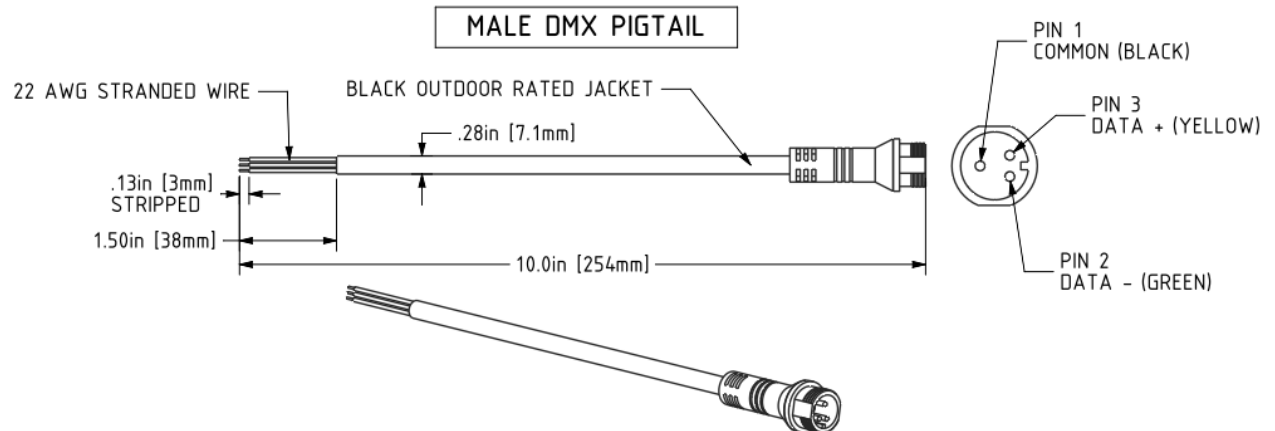
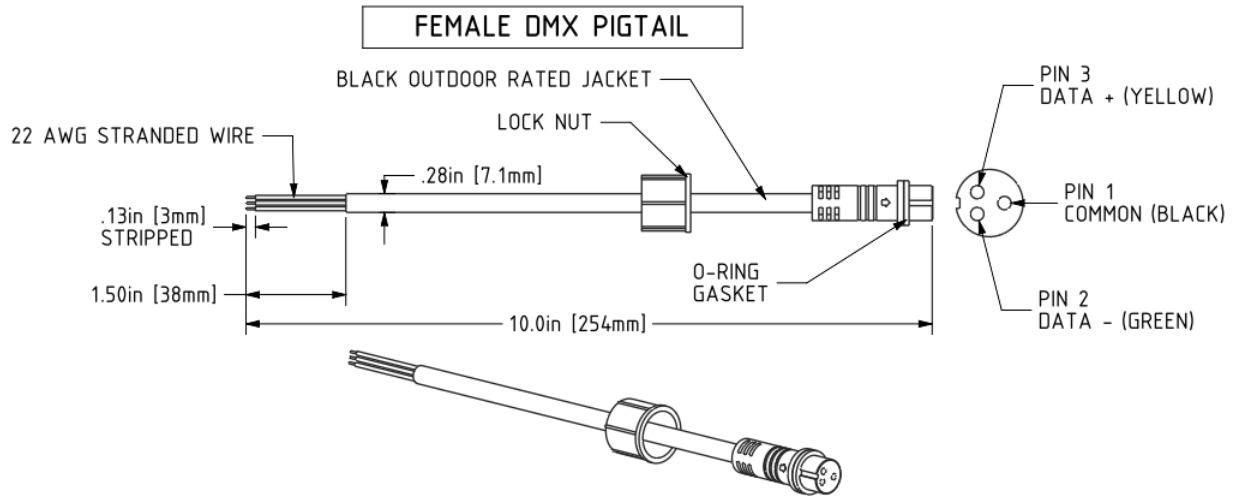


Hypnotica iS DMX Pigtail

For connections to controllers, raw DMX cable, pass-through conduit and exterior wall openings.



All components are rated to 80C minimum

All exposed components are suitable for outdoor applications (direct sun and rain)

ORDERING INFORMATION

Ordering Number: 60-WHR07-001-01 Male
60-WHR07-002-01 Female

Applications

- Hardwire to controller to begin DMX run
- Works with DFD Rerun and preset 10
- Used with opto-splitters from Pathway.

Specification sheets are subject to change without notice. For the most recent version, please refer to www.ilight-tech.com

Product Application

Hypnotica iS