

Plexineon Corner Cuttable Fixture

PRODUCT SUMMARY

Plexineon Cuttable Fixture

Colors

- Amber
- Blue
- Daytime Red*
- Daytime Yellow**
- Green
- Magenta*
- Orange
- Red
- Rose***
- Teal

White 1X & 2X**** (+/- 10%)

- 2800K
- 3500K
- 4500K
- 6500K

Intended Use

- Designed for the best functionality of a corner fixture and a cuttable fixture together

Features

- Fixture is cuttable in 1/2" (13mm) increments
- Provided with electronic grade silicone sealant and exterior grade wire nuts

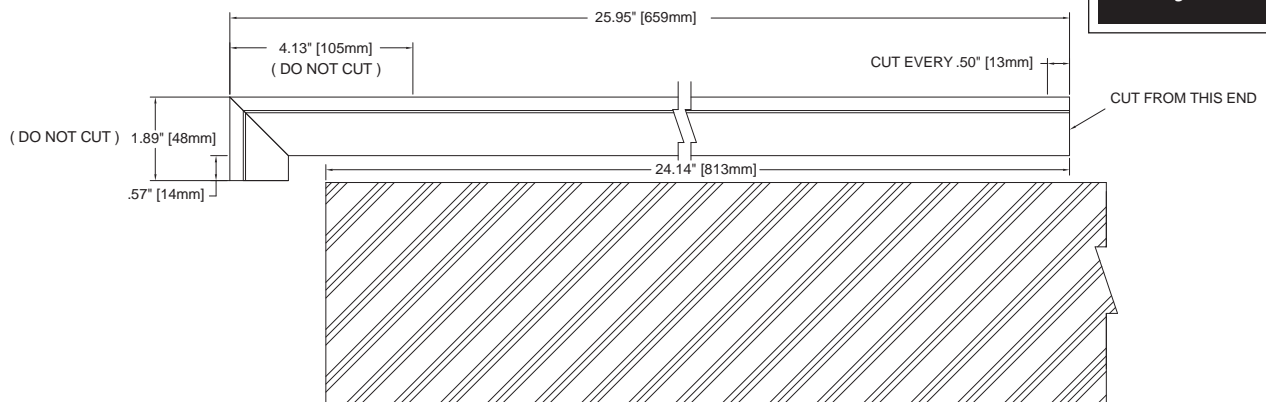
Length Available

- 2' (610mm)

Diffuser Color (when not illuminated)

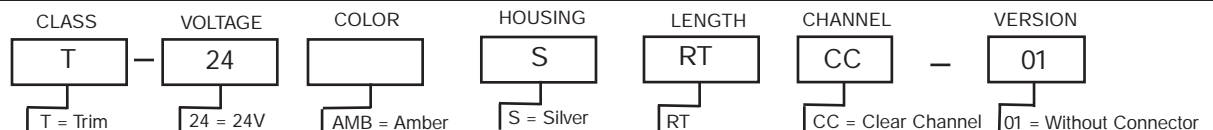
- Frosted
- Red*
- Yellow**
- Pink***
- Light amber hue****

Plexineon Corner 2' (610mm) Cuttable Fixture



Cuttable
every 1/2"

ORDERING INFORMATION



- AMB = Amber
- BLU = Blue
- DRD = Daytime Red
- YEL = Daytime Yellow
- GRN = Green
- MAG = Magenta
- ORG = Orange
- RED = Red
- ROS = Rose
- TEA = Teal

- | | |
|--|--|
| <ul style="list-style-type: none"> W28 = White 1X 2800K W35 = White 1X 3500K W45 = White 1X 4500K W65 = White 1X 6500K | <ul style="list-style-type: none"> X28 = White 2X 2800K X35 = White 2X 3500K X45 = White 2X 4500K X65 = White 2X 6500K |
|--|--|

Specification sheets are subject to change without notice. For the most recent version, please refer to www.ilight-tech.com.