

Hypnotica iS Standard Clip

PRODUCT SUMMARY

Hypnotica iS Standard Clip

Size

- 2.43" (62mm) tall by 1.00" (25mm) wide
- Screw placement hole: 1/8" in diameter

Use

- Mounting bracket to connect fixtures to surface

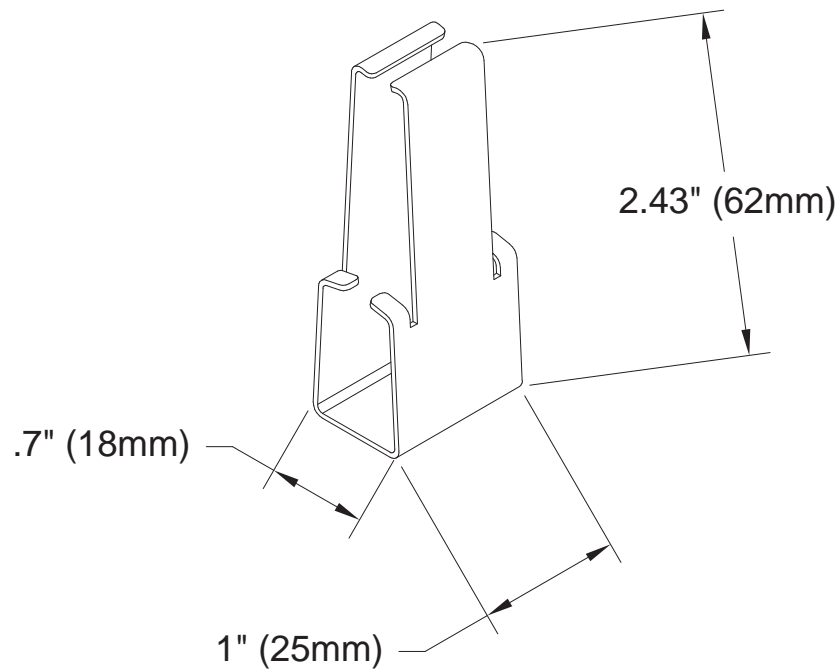
Material

- Stainless steel

Color Available

- Silver

Hypnotica iS Standard Clip Diagram



ORDERING INFORMATION

| | | |
|------------------|-----------------|-----------------|
| Ordering Number: | 75-CLP11-001-00 | Single clip |
| | 75-CLP11-050-00 | Bag of 50 clips |

Specification sheets are subject to change without notice. For the most recent version, please refer to www.ilight-tech.com.

| |
|---------------------|
| Product Application |
| Hypnotica iS |