

# Hypnotica iS Joiner Clip

## PRODUCT SUMMARY

### Hypnotica iS Joiner Clip

#### Size

- 2.43" (62mm) tall by 5.86" (149mm) wide
- Screw placement hole: 1/8" in diameter

#### Material

- Stainless steel

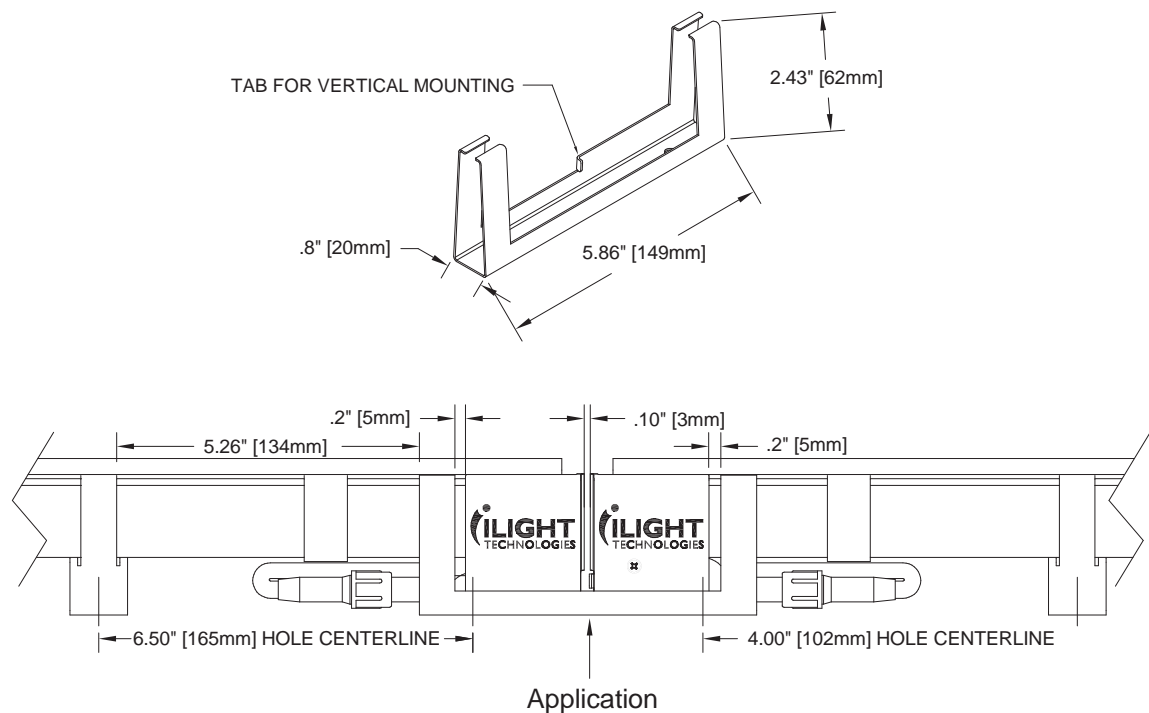
#### Color Available

- Silver

#### Use

- Mounting bracket to connect one fixture to an adjacent fixture and to keep in-line
- Wire management for DMX and power connections
- Built-in tab for vertical applications

### Hypnotica iS Joiner Clip Diagram



## ORDERING INFORMATION

|                  |                 |                 |
|------------------|-----------------|-----------------|
| Ordering Number: | 75-CLP09-001-00 | Single clip     |
|                  | 75-CLP09-025-00 | Bag of 25 clips |

Specification sheets are subject to change without notice. For the most recent version, please refer to [www.ilight-tech.com](http://www.ilight-tech.com).