

Hypnotica iS Vertical End Clip

PRODUCT SUMMARY

Hypnotica iS Vertical End Clip

Size

- 2.43" (62mm) tall by 2.83" (72mm) wide
- Screw placement hole: 1/8" in diameter

Material

- Stainless steel

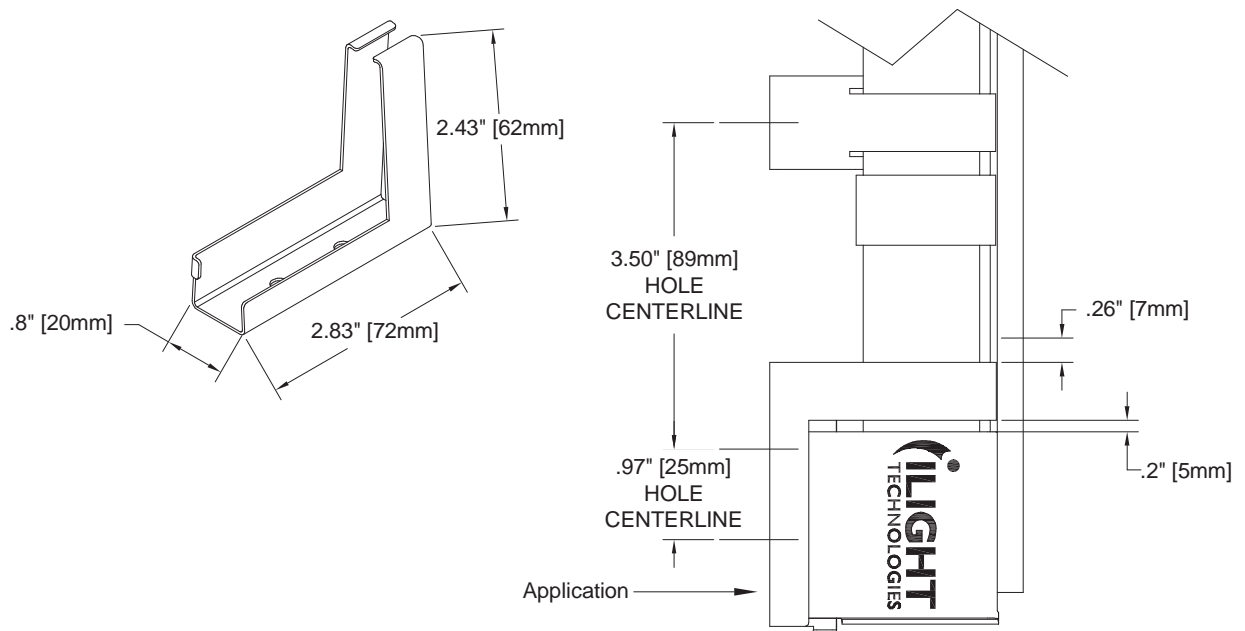
Color Available

- Silver

Use

- For use at the bottom of a run in vertical mounting applications

Hypnotica iS Vertical End Clip Diagram



ORDERING INFORMATION

Ordering Number:	75-CLP12-001-00	Single clip
	75-CLP12-025-00	Bag of 25 clips

Specification sheets are subject to change without notice. For the most recent version, please refer to www.ilight-tech.com.

Product Application

Hypnotica iS