

# Network Connectivity - 4 Way Opto Splitter - eDIN

Pathway Connectivity 4 Way Opto Splitter - eDIN



DIN rail modules simplify quoting and building custom panels with a variety of devices. eDIN building blocks can be assembled in any number of custom configurations, to suit your application. The Pathway eDIN Opto features one isolated input and four buffered outputs.

### FEATURES

- 4 buffered DMX outputs
- DMX512-A compliant
- Pluggable terminal block connections
- 2500V opto isolation
- 250V fault protection on all DMX ports
- Self healing input/output protection (no fuses)
- End-of-line termination switch
- Status LEDs for power, DMX in/out
- DMX pass-thru connector
- Snap-on DIN rail housing
- DIN rail mounting section included

### MODEL DESCRIPTION

1002 eDIN 4-way Opto-Splitter

### SPECIFICATIONS

Power Supply: 9-30 VDC or AC, 5W supply required. Use eDIN 1001 power supply or equal.

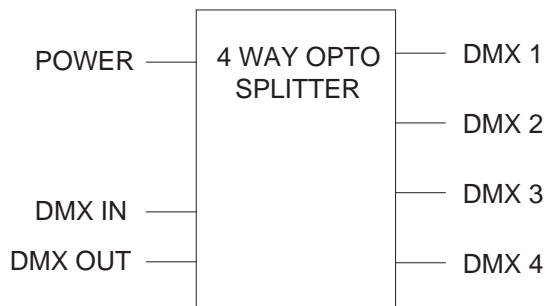
#### Isolation

- 2500V isolation input to output
- 250V fault protection

Size 3.5" x 4.5" x 1.5" d (90mm x 113mm x 38mm d)

### ACCESSORIES

1001 eDIN standard 10W power supply  
1102-30 Additional 30cm (12") section of DIN rail  
Or use any other 9-30V power supply, AC or DC



All eDIN devices can be mounted in eDIN enclosures (see 65-OSE0X-001-00).

### ORDERING INFORMATION

Ordering Number: 65-OSU05-001-00  
65-PWR01-001-00 Power Supply

#### Applications

- Fixture isolation
- Multi-runs
- Create "star" connections

Specification sheets are subject to change without notice. For the most recent version, please refer to [www.ilight-tech.com](http://www.ilight-tech.com).

#### Product Application

Hypnotica iS