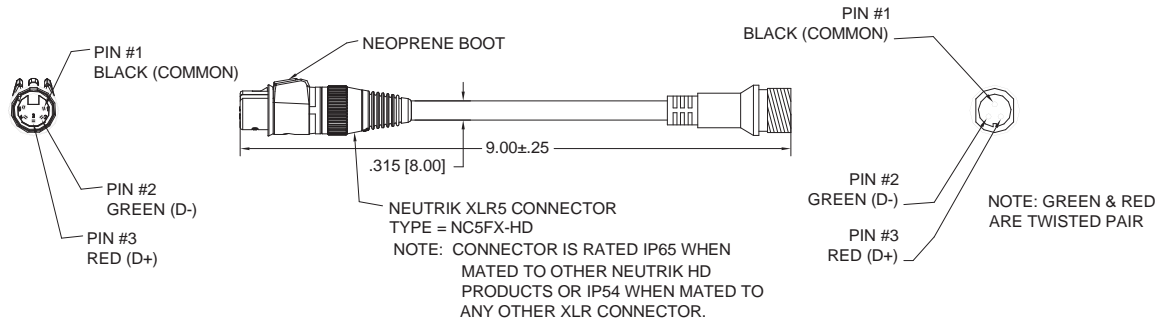


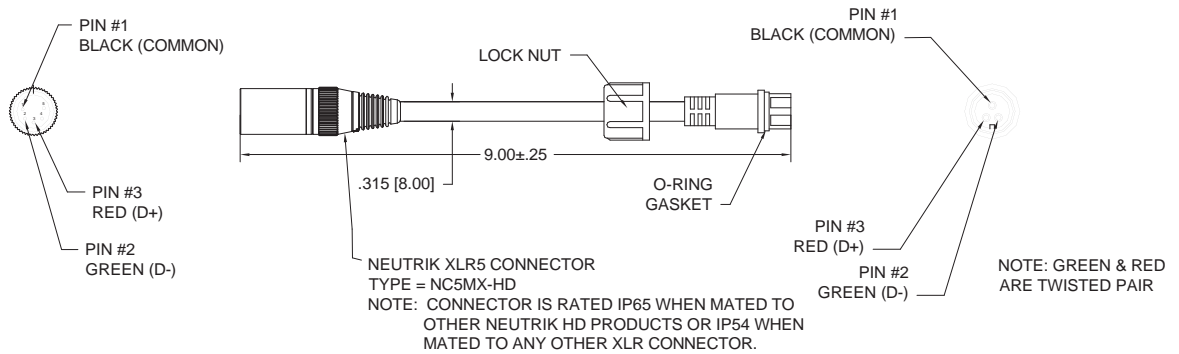
Hypnotica iS to XLR5 Adapter

Hypnotica iS to XLR5 Adapter

DMX connection to standard 5-pin XLR connectors.



MALE ADAPTOR



FEMALE ADAPTOR

All components are rated to 80C minimum
 All exposed components are suitable for outdoor applications
 (direct sunlight and rain)

ORDERING INFORMATION

Ordering Number: 60-WHR01-001-00 Male
 60-WHR01-002-00 Female

Specification sheets are subject to change without notice. For the most recent version, please refer to www.ilight-tech.com.

Product Application

Hypnotica iS