

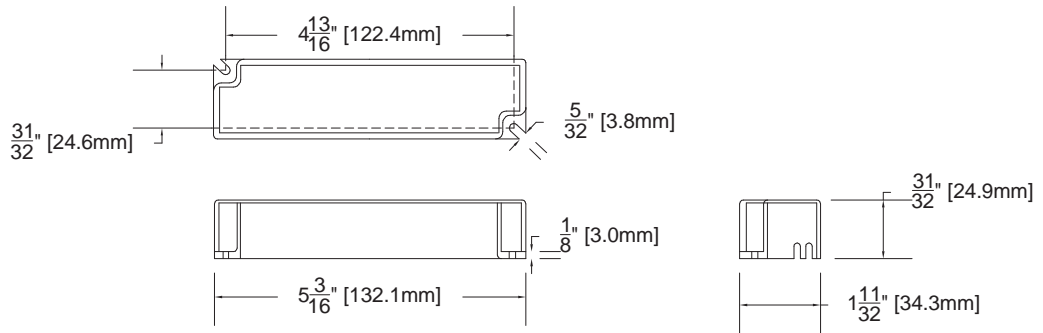
Advance Single Channel PWM Dimmer

Advance Single Channel PWM Dimmer

Xitanium 100W Dim Control 0-10V to PWM



1-10V dimming enables luminaires to be easily connected to a wide variety of sensors and control systems to facilitate dimming, thus maximizing energy savings.



Max. Output Power (W)	Output Voltage (V)	Output Current (A)	Operating Temp. Range (°F/°C)	Input Current (A)	Max. Input Power (W)	Inrush Current	Max THD (%)	Min. Power Factor	Surge Protection (KV)	Weight (Lbs.)	IP Rating
60	12	5.0	-40°~104°F	5.0	60	-	-	-	-	0.3/135	IP66
100	24	4.1	(-40°~40°C)	4.1	100	-	-	-	-		

Dimming Protocol	Dimming Range (%)	Dimming Mode
0-10V	100% - 0%	PWM 300Hz



ORDERING INFORMATION

Ordering Number:
65-DIM01-002-00 Advance Single Channel PWM Dimmer

Applications

- Dimming Plexineon products

Specification sheets are subject to change without notice. For the most recent version, please refer to www.ilight-tech.com.

Product Application

Plexineon

Advance Single Channel PWM Dimmer

Plexineon is a dimmable product using Pulse Width Modulation (PWM). Here are some guidelines to help you dim the product appropriately:

- Plexineon can be used with simple 0-10V dimmers as well as DMX/RDM dimmer controls.
- Plexineon may only be dimmed on the DC side.
- Note using magnetic power supplies to dim Plexineon on the AC side will not work.

If you have questions regarding dimming, please contact our customer serviceteam at **312.876.8630** or support@ilight-tech.com

Advance Single Channel PWM Dimmer

