

Plexineon White 2X Series

PRODUCT SUMMARY



PRODUCT FEATURES

- Four Kelvin temperatures
- Energy efficient
- Long lifetime
- Stable and consistent color temperature
- Low voltage
- Easy to install
- Cool to the touch
- For use as exterior or interior accent lighting, direct view or indirect view applications, coves, signage & more

Color Temperatures (+/- 10%)

- 2800°K
- 3500°K
- 4500°K
- 6500°K

Diffuser Color

- Light amber hue (when not illuminated)

Lengths Available

- 2', 4', 6', 8' (610 mm, 1219 mm, 1830 mm, 2438 mm)
- 2' (610mm) field cuttable pieces
- Illuminated outside corner pieces
- Factory custom lengths available to the nearest 1/2" (13mm) +/- 0.25" (6mm)
- Factory convex or concave bends to minimum inside radius of 12" (305mm)¹
- Factory "easy bends" to 3/16" (5mm)¹ radius
- Gentle field bends to a 72" (1830mm) radius²

Power Supply

- Class 2 24VDC, 100 Watts - must be supplied by iLight
- Primary voltage: 120 or 120-277 depending on model
- Secondary voltage: 24VDC 4.1 A Max
- Maximum illumination length of a single 100W power supply: 20 feet (6.10m)

Power Supply Tips

- 20% overage for breaker for primary current draw
- Do not plug multiple power supplies into one run of Plexineon
- All iLight power supplies should be on an independent circuit
- Recommend surge protection upstream from power supply
- Verify correct voltage prior to wiring to non-switching power supplies

Low Voltage Cable

Maximum distance of low voltage cable in any given run:

- 14 AWG: 40 feet (12.19m)
- 12 AWG: 60 feet (18.29m)
- 10 AWG: 100 feet (30.48m)

1. Drawing required for production

2. Field bending allowed only on fixtures without C-channel

ORDERING INFORMATION

CLASS	VOLTAGE	COLOR	HOUSING	LENGTH	CHANNEL	VERSION
T	24		S			00
T = Trim	24 = 24V	X28 = White 2X 2800°K X35 = White 2X 3500°K X45 = White 2X 4500°K X65 = White 2X 6500°K	S = Silver	2F = 2 Feet 4F = 4 Feet 6F = 6 Feet 8F = 8 Feet CL = Custom Length TT = 2 Foot Cuttable PC = Outside Corner BE = Bend - Easy BN = Bend - Convex BV = Bend - Concave	SC = Stainless Steel Channel NC = No Channel	00

Specification sheets are subject to change without notice. For the most recent version, please refer to www.ilight-tech.com.

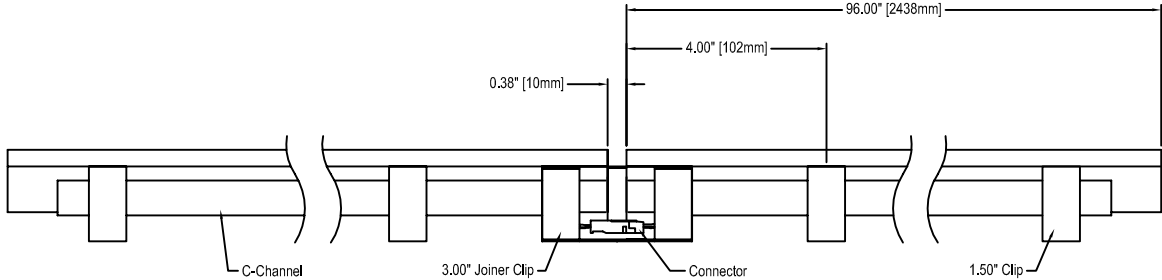
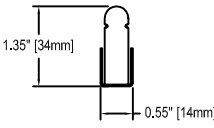
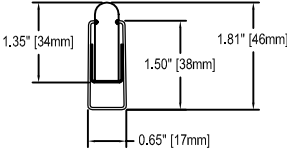
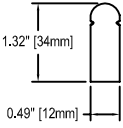
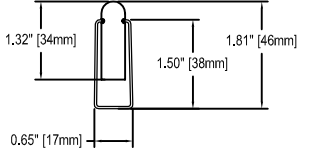
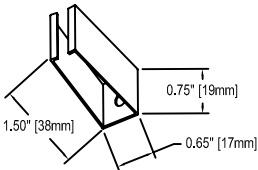
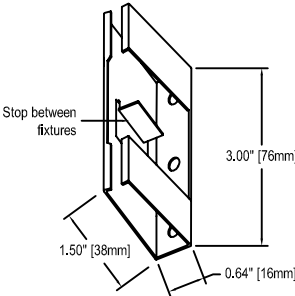
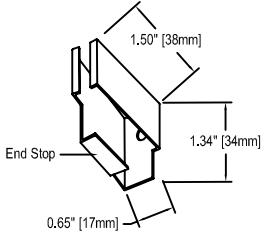
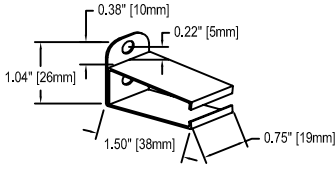
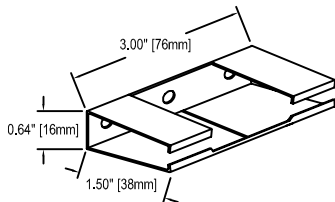
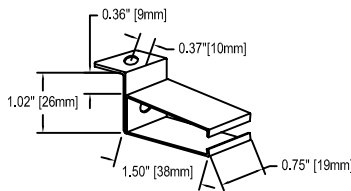
MK-0809

Plexineon White 2X Series

TECHNICAL INFORMATION	
MECHANICAL	<p>Width & Height Housing</p> <ul style="list-style-type: none"> • 0.55”(14mm)w x 1.35”(34mm)h with C-channel • UV and impact resistant acrylic diffuser • UV resistant plastic channel • Stainless steel C-channel for mechanical support <p>Minimum Piece Spacing</p> <ul style="list-style-type: none"> • Linear (end to end) = 3/8” (10mm) • Parallel (edge to edge) = 1” (25mm) <p><small>*The minimum space for ventilation surrounding the Plexineon product is 1.0’. This distance should be maintained on the three sides, left and right of the product as well as in front of product. Other configurations subject to specific application testing.</small></p> <p>Mounting</p> <ul style="list-style-type: none"> • Stainless steel spring mounted clips • Clips to be 2” (51mm) in from end of piece and no more than 2’ (610mm) maximum between clips <p>Power Supply Weight</p> <ul style="list-style-type: none"> • Electronic (Advance) Power Supply is 2 lbs. (0.9 kg) • Outdoor Magnetic Hybrid Power Supply is 9 lbs. (4 kg) <p>Power Supply Dimensions</p> <ul style="list-style-type: none"> • Electronic (Advance) = 9.50” x 1.18” x 1.70” (242mm X 30mm X 43mm) • Outdoor Magnetic Hybrid= 11.25” x 3.25” x 3.36” (286mm x 83mm X 85mm)
ELECTRICAL	<p>Load Voltage 24V DC</p> <p>Load Current 180 mA/foot at 24VDC (591 mA/meter) 4.32 watts/foot (14.17 watts/meter)</p> <p>Maximum Run Length 20 feet (6.10m) with an iLight approved power supply</p> <p>DC Cable</p> <ul style="list-style-type: none"> • 14 AWG, PVC/Nylon Type TC 600 Volt power and control cable or equivalent • FT-4 fire rating • Class 2 wiring system • Connectors: Molex Splashproof - JIS D0203 S2 <p>Electrical Tips</p> <ul style="list-style-type: none"> • Only use iLight approved power supplies • Do not cut non-cuttable pieces
ENVIRONMENTAL	<p>Operating Temperature Range -25°C to 40°C (-13°F to 104°F)</p> <p>Storage Temperature Range -25°C to 75°C (-13°F to 167°F)</p> <p>Certification</p> <ul style="list-style-type: none"> • Plexineon is MetLabs listed. MetLabs is a Nationally Recognized Testing Laboratory (NRTL). Complies with UL 1598 and CSA c22.2 No. 250 in Luminaire, Wet location listed. • Power Supplies are RU listed. RU stands for Recognized Components by Underwriters Laboratory.

Plexineon White 2X Series

TECHNICAL INFORMATION

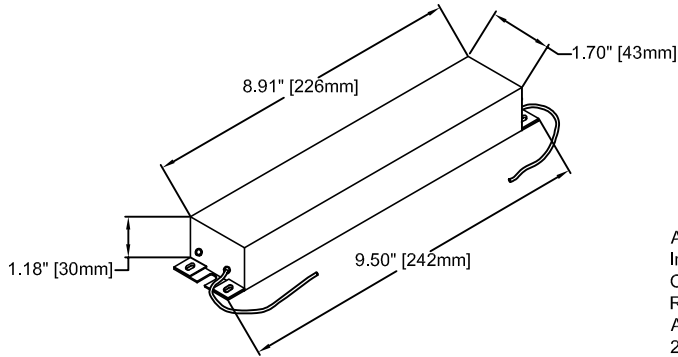
PLEXINEON PROFILE			
PLEXINEON CROSS SECTIONS	<p>With C-Channel</p> 	<p>With C-Channel and Clip</p> 	
	<p>Without C-Channel</p> 	<p>Without C-Channel and with Clip</p> 	
MOUNTING CLIPS	<p>1.50" Standard Clip</p> 	<p>3" Vertical Joiner Clip</p> 	<p>1.50" Vertical End Clip</p> 
	<p>Straight Tab Specialty Clip</p> 	<p>3" Joiner Clip</p> 	<p>L Tab Specialty Clip</p> 
	<p>Note: Mounting Hole = $\varnothing 3/16"$</p>		

Plexineon White 2X Series

TECHNICAL INFORMATION

Plexineon Power Supplies

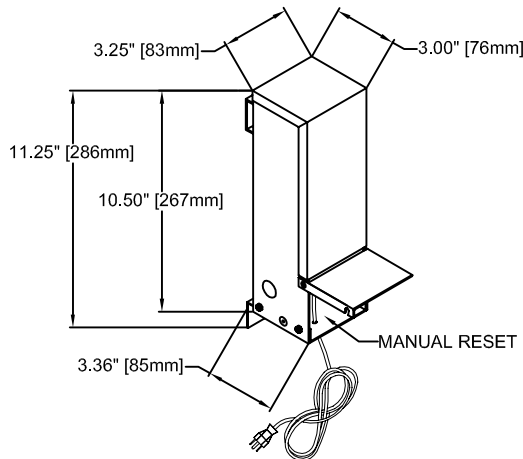
ELECTRONIC (ADVANCE)
POWER SUPPLY



ADV100W24V
 Input: 120-277VAC 50/60Hz
 Output: 24VDC 4Amax
 RU listed for U.S. and Canada
 Additional enclosure may be required
 2 lbs. (0.9kg)



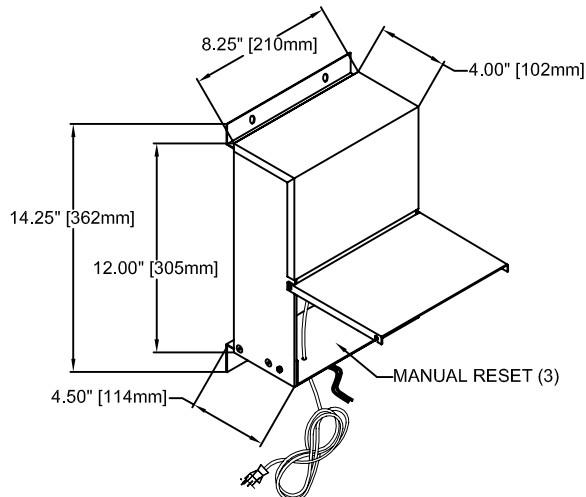
MAGNETIC HYBRID
POWER SUPPLY
IN 3R ENCLOSURE



PN10124DCR-3R
 Input: 120VAC 50/60Hz
 Output: 24VDC 4Amax
 RU listed for U.S.
 Enclosed in NEMA 3R enclosure
 9 lbs. (4kg)



MAGNETIC HYBRID 3-OUTLET
POWER SUPPLY IN 3R ENCLOSURE



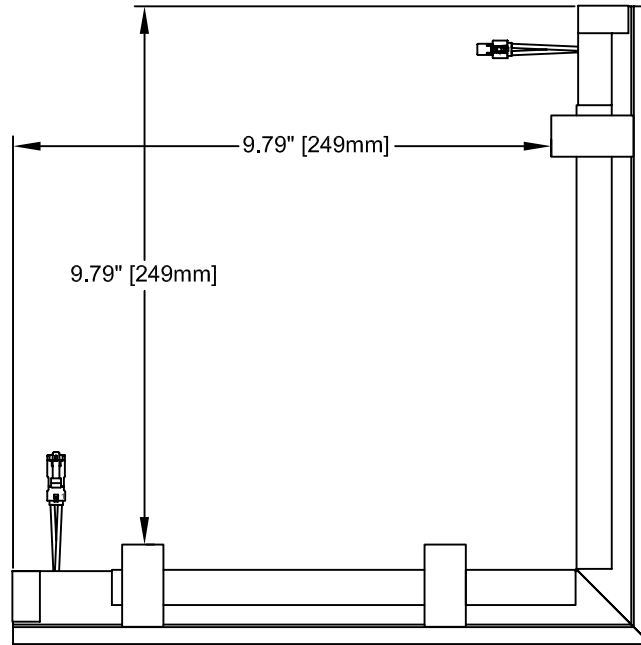
PNC224024DCR-3R
 Input: 120VAC 60Hz
 Output: 24VDC 4Amax X 3
 RU listed for U.S.
 Enclosed in NEMA 3R enclosure
 25 lbs. (12kg)



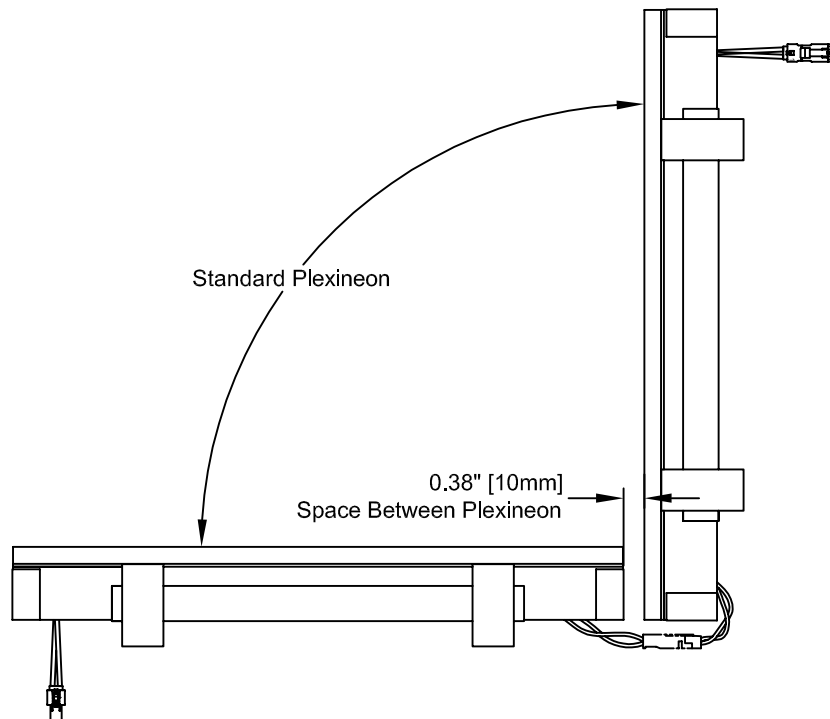
Plexineon White 2X Series

TECHNICAL INFORMATION

OUTSIDE CORNER



INSIDE CORNER

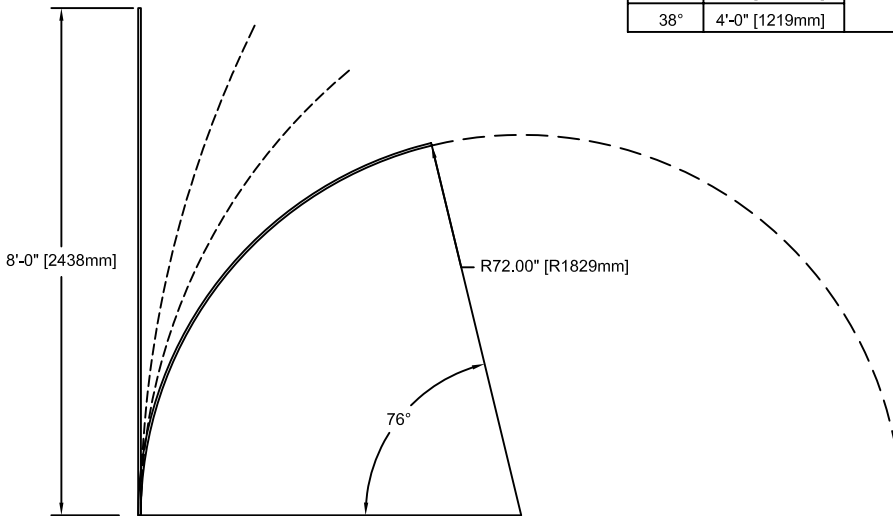


Plexineon White 2X Series

TECHNICAL INFORMATION

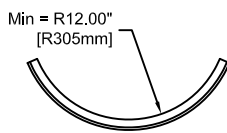
PLEXINEON FIELD BENDING¹⁻³

Angle	Length	Min. Radius
76°	8'-0" [2438mm]	72.00" [1829mm]
57°	6'-0" [1829mm]	
38°	4'-0" [1219mm]	

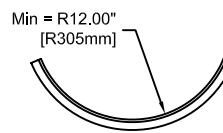


Note 1: Field bending shown in easy direction. Cannot field bend into convex or concave bends.
 Note 2: Easy direction refers to bend axis parallel to light direction.
 Note 3: Field bending allowed only on fixtures without C-channel.

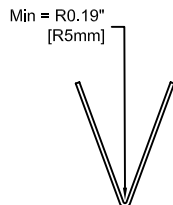
PLEXINEON FACTORY BENDING



Convex



Concave



Easy Bend²