

# Plexineon Colors & White IX

## Bending Capabilities

### PRODUCT SUMMARY

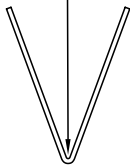
One of the many advantages of iLight's Plexineon technology is that it can be *factory bent* or *gently bent* in the field.

### Factory Bending Colors & White IX

For designs that require smaller radius bends, Plexineon can be bent in our factory.

- iLight can factory bend convex and concave curves to a 5 inch minimum radius
- iLight can also form to  $\frac{3}{16}$ " radius for letters or tighter curves in the "easy bend" direction

Min = R0.19"  
[R5mm]



Easy Bend<sup>2</sup>

Min = R5.00"  
[R127mm]



Convex Bend

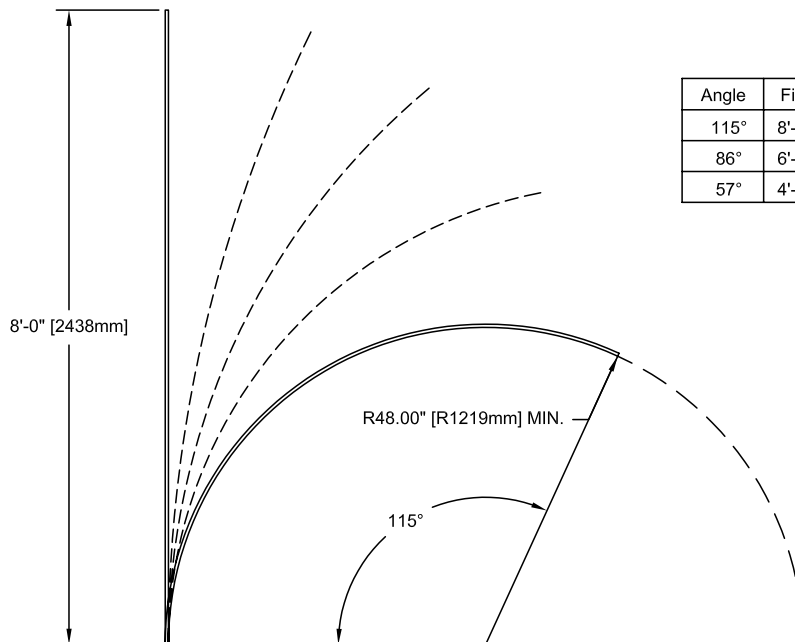
Min = R5.00"  
[R127mm]



Concave Bend

### Field Bending Colors & White IX<sup>1-3</sup>

For designs with large radii or gentle curves, Plexineon can be gently bent in the field the "easy" direction. To allow for field bending, Plexineon must be ordered without C-channel.



Angle	Fixture Length	Min. Radius
115°	8'-0" [2438mm]	48.00" [1219mm]
86°	6'-0" [1829mm]	
57°	4'-0" [1219mm]	

Note 1: Field bending shown in easy direction. Cannot field bend into convex or concave bends.

Note 2: Easy direction refers to bend axis parallel to light direction.

Note 3: Field bending only allowed on fixtures without C-channel.

# Plexineon White 2X

## Bending Capabilities

### PRODUCT SUMMARY

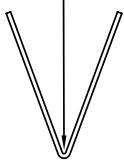
One of the many advantages of iLight's Plexineon technology is that it can be *factory bent* or *gently bent* in the field.

### Factory Bending for White 2X

For designs that require smaller radius bends, Plexineon can be bent in our factory.

- iLight can factory bend convex and concave curves to a 12 inch minimum radius
- iLight can also form to  $\frac{3}{16}$ " radius for letters or tighter curves in the "easy bend" direction

Min = R0.19"  
[R5mm]



Easy Bend<sup>2</sup>

Min = R12.00"  
[R305mm]



Convex Bend

Min = R12.00"  
[R305mm]

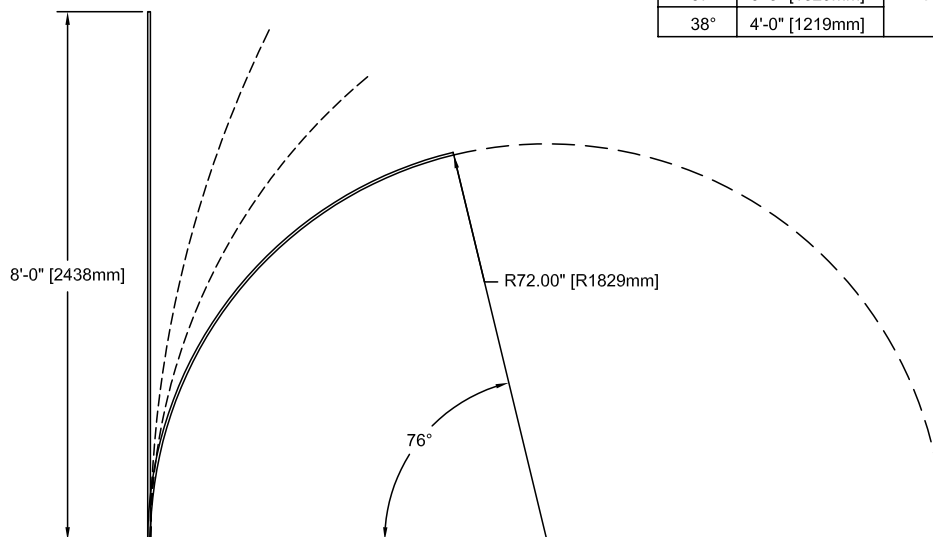


Concave Bend

### Field Bending White 2X<sup>1-3</sup>

For designs with large radii or gentle curves, Plexineon can be gently bent in the field the "easy" direction. To allow for field bending, Plexineon must be ordered without C-channel.

Angle	Fixture Length	Min. Radius
76°	8'-0" [2438mm]	72.00" [1829mm]
57°	6'-0" [1829mm]	
38°	4'-0" [1219mm]	



Note 1: Field bending shown in easy direction. Cannot field bend into convex or concave bends.

Note 2: Easy direction refers to bend axis parallel to light direction.

Note 3: Field bending only allowed on fixtures without C-channel.