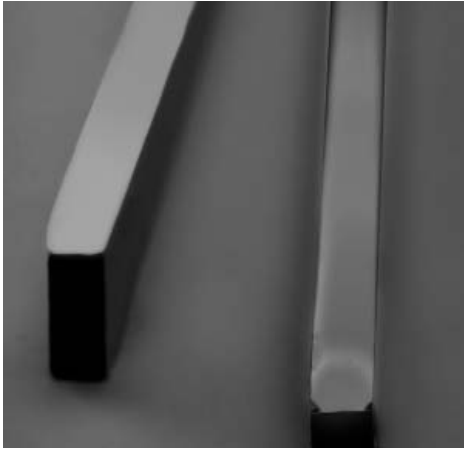


# Hypnotica™ iS Color Changing Series

## PRODUCT SUMMARY



### PRODUCT FEATURES

- Slender, low profile
- Smooth, even light output
- Compatible with any DMX 512 controller or any RDM (Remote Device Management) enabled controller
- Controllable in 6" increments
- Applications: exterior and interior linear trim lighting, interior direct and indirect lighting, cove lighting, accent lighting & more.

### Color Range

- 16.7 million color possibilities

### Light Source

- 20 High Powered RGB LEDs per foot

### Housing

- Anodized aluminum extrusion with frosted diffuser

### Power Supply

- 120-277 AC Class 2 24VDC 4.1 A Max  
iLight Power Supply

### Control Systems

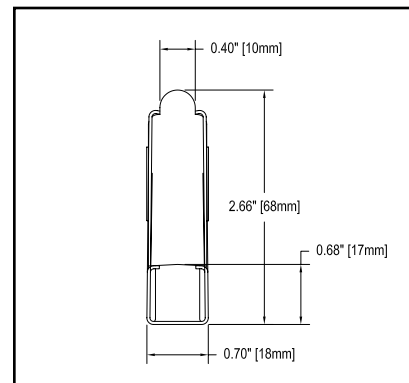
- Industry Standard DMX 512
- RDM enabled controllers

### Partners

- Pathway Connectivity

### Lengths Available

- 1', 2', 4', 8' (305 mm, 610 mm, 1219 mm, 2438 mm)
- Straight lengths available only



Hypnotica iS Product Profile

## ORDERING INFORMATION

Sample Number: T-24RGBDAS10-00

CLASS	VOLTAGE	COLOR	RGB TYPE	RESOLUTION	ADDITIONAL IDENTIFIER	LENGTH	FIXTURE TYPE	VERSION
T	24	RGB	D	A	S		0	00
T = Trim	24 = 24V	RGB	D = DMX	A = 6"	S = Straight	1 = 1 feet 2 = 2 feet 4 = 4 feet 8 = 8 feet	0 = Standard	00

Specification sheets are subject to change without notice. For the most recent version, please refer to [www.ilight-tech.com](http://www.ilight-tech.com).

# Hypnotica™ iS Color Changing Series

## TECHNICAL INFORMATION

MECHANICAL WITH EXTRUSION	<p><b>Width &amp; Height Housing</b></p> <ul style="list-style-type: none"> <li>• 0.70" (17mm) w x 2.66" (67mm) h</li> <li>• Anodized aluminum extrusion</li> </ul> <p><b>Minimum Piece Spacing</b></p> <ul style="list-style-type: none"> <li>• Linear (end to end) = 0.10" (3mm)</li> <li>• Parallel (edge to edge) = 1" (25.4mm)</li> </ul> <p><small>*The minimum space for ventilation around the Hypnotica product is 1.0". This distance should be maintained on the three sides, left and right of the product as well as in front of product. Other configurations subject to specific application testing.</small></p>	<p><b>Mounting</b></p> <ul style="list-style-type: none"> <li>• Hypnotica mounting clips for attachment</li> </ul> <p><b>Power Supply Dimensions</b></p> <ul style="list-style-type: none"> <li>• Electronic 100W = 9.45" x 1.7" x 1.16"</li> <li>• Outdoor Magnetic Hybrid 100W = 16" x 8.5" x 4.5"</li> <li>• Outdoor Magnetic Hybrid 300W (3x100W) = 16" x 8.5" x 4.5"</li> </ul>
COMMUNICATION	<p><b>Controllers</b></p> <ul style="list-style-type: none"> <li>• DMX 512 compatible controller</li> </ul> <p><b>RDM Features</b></p> <ul style="list-style-type: none"> <li>• Self identification</li> <li>• Report line voltage</li> <li>• Report processor voltage</li> <li>• Report temperature</li> <li>• Color correction offset</li> <li>• Hue, Saturation &amp; Value (HSV) color control</li> </ul>	<p><b>Personalities</b></p> <ul style="list-style-type: none"> <li>• 3-channel RGB</li> <li>• 6-channel RGB</li> <li>• 3-channel HSV</li> <li>• 6-channel HSV</li> <li>• 16-bit RGB</li> <li>• 16-bit linear RGB</li> </ul> <p><b>DMX Load</b></p> <ul style="list-style-type: none"> <li>• 1 foot (305mm) of Hypnotica iS = 1/4 DMX load</li> <li>• 128 feet (39m) of Hypnotica iS per DMX run</li> </ul>
ELECTRICAL	<p><b>Load Voltage</b></p> <ul style="list-style-type: none"> <li>• 24VDC</li> </ul> <p><b>Load Current</b></p> <ul style="list-style-type: none"> <li>• 240 mA per foot (788 mA per m) at 24VDC</li> </ul> <p><b>Maximum Run Length</b></p> <ul style="list-style-type: none"> <li>• 16 feet (4.88 m) with a Class 2 100W power supply</li> </ul> <p><b>Power Supply</b></p> <ul style="list-style-type: none"> <li>• Class 2 24VDC supplied by iLight</li> <li>• Primary voltage 120-277 AC 50/60 Hz</li> <li>• Secondary voltage: 24VDC 4.1 A Max</li> <li>• Max illumination length of single 100W power supply: 16 ft or 4.88 meters</li> </ul> <p><b>DMX (RS-485 Cable)</b></p> <ul style="list-style-type: none"> <li>• Belden 9842 or ProPlex PC224T</li> <li>• 1500 feet (457.2 m) max distance</li> <li>• DMX over Ethernet via additional equipment</li> </ul>	<p><b>Power DC Cable</b></p> <ul style="list-style-type: none"> <li>• 14 AWG, PVC/Nylon Type TC 600 Volt power and control cable or equivalent</li> <li>• FT-4 fire rating</li> <li>• Class 2 wiring system</li> <li>• Maximum distance of low voltage cable in any given run: <ul style="list-style-type: none"> <li>14 AWG: 40 ft or 12.19 meters</li> <li>12 AWG: 60 ft or 18.29 meters</li> <li>10 AWG: 100 ft or 30.48 meters</li> </ul> </li> </ul> <p><b>Electrical Tips</b></p> <ul style="list-style-type: none"> <li>• Use iLight approved power supplies only</li> <li>• Ensure a 20% overage for breaker for primary current draw</li> <li>• Do not plug multiple power supplies into one run of Hypnotica</li> <li>• Confirm that all iLight power supplies are on an independent circuit</li> </ul>
ENVIRONMENTAL	<p><b>Operating Temperature Range</b></p> <p>-25°C to 50°C (-13°F to 122°F) Designed with internal thermal management</p> <p><b>Storage Temperature Range</b></p> <p>-25°C to 75°C (-13°F to 167°F)</p>	<p><b>Certification</b></p> <ul style="list-style-type: none"> <li>• Hypnotica is MetLabs listed. MetLabs is a Nationally Recognized Testing Laboratory (NTRL). Complies with UL 1598 and CSA c22.2 No. 250 in Luminaire. Wet location listed.</li> <li>• Power Supplies are RU listed. RU stands for Recognized Components by Underwriters Laboratory.</li> </ul>

# Hypnotica™ iS Color Changing Series

## TECHNICAL INFORMATION

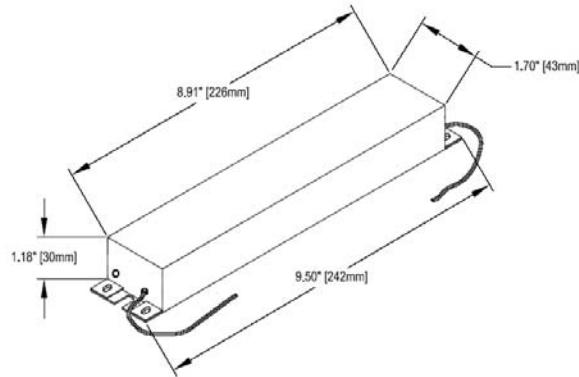
<p>HYPNOTICA iS PROFILE</p>	<p>DMX/RDM CONNECTION POWER CONNECTION</p>
<p>HYPNOTICA iS LENGTHS</p>	<div style="display: flex; justify-content: space-between;"> <div style="width: 60%;"> <p><b>1 FOOT FIXTURE</b> 12.57" [319.2mm]</p> <p><b>2 FOOT FIXTURE</b> 24.40" [619.7mm]</p> <p><b>4 FOOT FIXTURE</b> 48.05" [1220.4mm]</p> <p><b>8 FOOT FIXTURE</b> 95.93" [2436.6mm]</p> </div> <div style="width: 35%;"> <ul style="list-style-type: none"> <li>• <b>Note:</b> If mounting orientation is vertical, a Hypnotica iS Vertical End Clip is needed at the bottom of each vertical run.</li> <li>• Refer to installation guide for proper clip placement and quantities.</li> </ul> </div> </div>
<p>HYPNOTICA iS MOUNTING CLIPS</p>	<div style="display: flex; justify-content: space-around;"> <div style="text-align: center;"> <p><b>Standard iS Clip</b></p> </div> <div style="text-align: center;"> <p><b>Vertical End iS Clip</b></p> </div> <div style="text-align: center;"> <p><b>iS Joiner Clip</b></p> </div> </div>

# Hypnotica™ iS Color Changing Series

## TECHNICAL INFORMATION

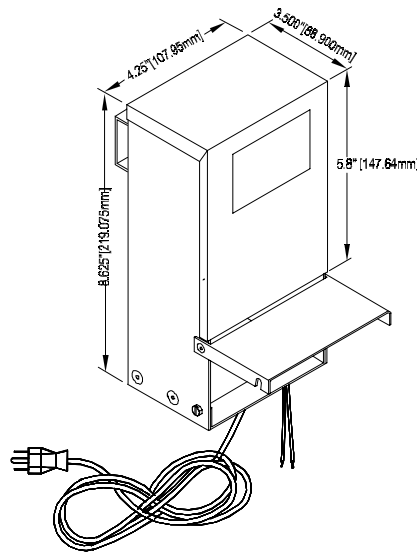
### Plexineon Power Supplies

ELECTRONIC 100W POWER SUPPLY



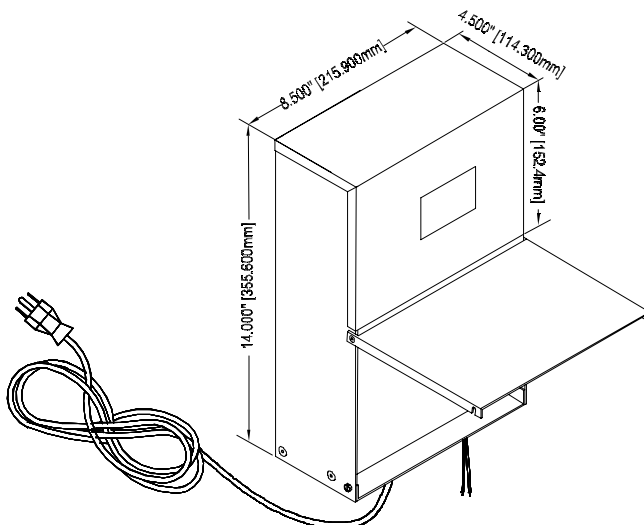
\*16 feet RGB Max - 4.88 meters

MAGNETIC HYBRID 100W POWER SUPPLY IN 3R ENCLOSURE



\*16 feet RGB Max - 4.88 meters  
\* This power supply comes with plug & cord

MAGNETIC HYBRID 300W (3 x 100W) POWER SUPPLY IN 3R ENCLOSURE



\*3 X 16 feet RGB Max - 14.63 meters  
\* This power supply comes with plug & cord

# Hypnotica™ iS Color Changing Series

## BASIC RISER DIAGRAM

DMX & POWER WIRING DIAGRAMS

