

Plexineon White 2X Series

PRODUCT SUMMARY



PRODUCT FEATURES

- Four Kelvin temperatures
- Energy efficient
- Long lifetime
- Stable and consistent color temperature
- Low voltage
- Easy to install
- Cool to the touch
- Accent and low light level applications: coves, sconces, steps and stairs, under cabinet, curtain wall, mullions, and more

Color Temperatures (+/- 10%)

- 2800°K
- 3500°K
- 4500°K
- 6500°K

Diffuser Color

- Light amber hue (when not illuminated)

Lengths Available

- 2', 4', 6', 8' (610 mm, 1220 mm, 1830 mm, 2440 mm)
- 22" field cuttable pieces
- 9" x 9" illuminated outside corner pieces
- Factory custom lengths available to the nearest 1"
- Factory convex or concave bends to minimum inside radius of 12"
- Factory "easy bends" to 3/16" radius
- Gentle field bends to a 72" radius

Power Supply

- Class 2 24VDC, 100 Watts - must be supplied by iLight
- Primary voltage: 120 or 120-277 depending on model
- Secondary voltage: 24VDC 4.1 A Max
- Maximum illumination length of a single 100W power supply: 20 feet or 6.10 meters

Power Supply Tips

- 20% overage for breaker for primary current draw
- Do not plug multiple power supplies into one run of Plexineon
- All iLight power supplies should be on an independent circuit
- Recommend surge protection upstream from power supply
- Verify correct voltage prior to wiring to non-switching power supplies

Low Voltage Cable

Maximum distance of low voltage cable in any given run:

- 14 AWG: 40 feet or 12.19 meters
- 12 AWG: 60 feet or 18.29 meters
- 10 AWG: 100 feet or 30.48 meters

I. Drawings required for production

For the most current technical information, please refer to www.ilight-tech.com.

ORDERING INFORMATION

CLASS	VOLTAGE	COLOR	HOUSING	LENGTH	CHANNEL	VERSION
T	24		S			00
T = Trim	24 = 24V	X28 = 2800°K X35 = 3500°K X45 = 4500°K X65 = 6500°K	S = Silver	2F = 2 Feet 4F = 4 Feet 6F = 6 Feet 8F = 8 Feet CL = Custom Length TT = 22" Cuttable 9M = Outside Corner BE = Bend - Easy BN = Bend - Convex BV = Bend - Concave	SC = Stainless Steel Channel NC = No Channel	00

PNW2V2-0108

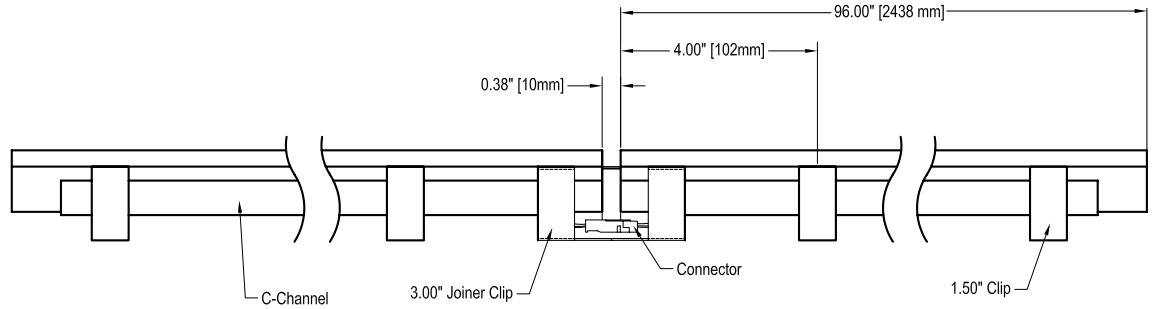
Plexineon White 2X Series

TECHNICAL INFORMATION	
MECHANICAL	<p>Width & Height Housing</p> <ul style="list-style-type: none"> • 0.55”(14mm) w x 1.35”(34mm) h (with c-channel) • UV and impact resistant acrylic diffuser • UV resistant plastic channel • Stainless steel c-channel for mechanical support <p>Minimum Piece Spacing</p> <ul style="list-style-type: none"> • Linear (end to end) = $\frac{3}{8}$” • Parallel (edge to edge) = 1” <p><small>*The minimum space for ventilation surrounding the Plexineon product is 1.0”. This distance should be maintained on the three sides, left and right of the product as well as in front of product. Other configurations subject to specific application testing.</small></p> <p>Mounting</p> <ul style="list-style-type: none"> • Stainless steel spring mounted clips • Clips to be 2” in from end of piece and no more than 2’ maximum between clips <p>Power Supply Weight</p> <ul style="list-style-type: none"> • Electronic (Advance) Power Supply is 2 lbs. • Outdoor Magnetic Hybrid Power Supply is 9 lbs. <p>Power Supply Dimensions</p> <ul style="list-style-type: none"> • Electronic (Advance) = 9½” x 1¼” x 1¾” • Outdoor Magnetic Hybrid= 8½” x 3½” x 4¼”
ELECTRICAL	<p>Load Voltage 24V DC</p> <p>Load Current 180 mA/foot at 24VDC</p> <p>Maximum Run Length 20 feet with an iLight approved power supply</p> <p>DC Cable</p> <ul style="list-style-type: none"> • 14 AWG, PVC/Nylon Type TC 600 Volt power and control cable or equivalent • FT-4 fire rating • Class 2 wiring system • Connectors: Molex Splashproof - JIS D0203 S2 <p>Electrical Tips</p> <ul style="list-style-type: none"> • Only use iLight approved transformers • Do not cut non-cuttable pieces
ENVIRONMENTAL	<p>Operating Temperature Range -25°C to 40°C (-13°F to 104°F)</p> <p>Storage Temperature Range -25°C to 75°C (-13°F to 167°F)</p> <p>Certification</p> <ul style="list-style-type: none"> • Plexineon is MetLabs listed. Metlabs is a Nationally Recognized Testing Laboratory (NTRL). Complies with UL 1598 and CSA c22.2 No. 250 in Luminaire, Wet listed. • Power Supplies are RU listed. RU stands for Recognized Components by Underwriters Laboratory.

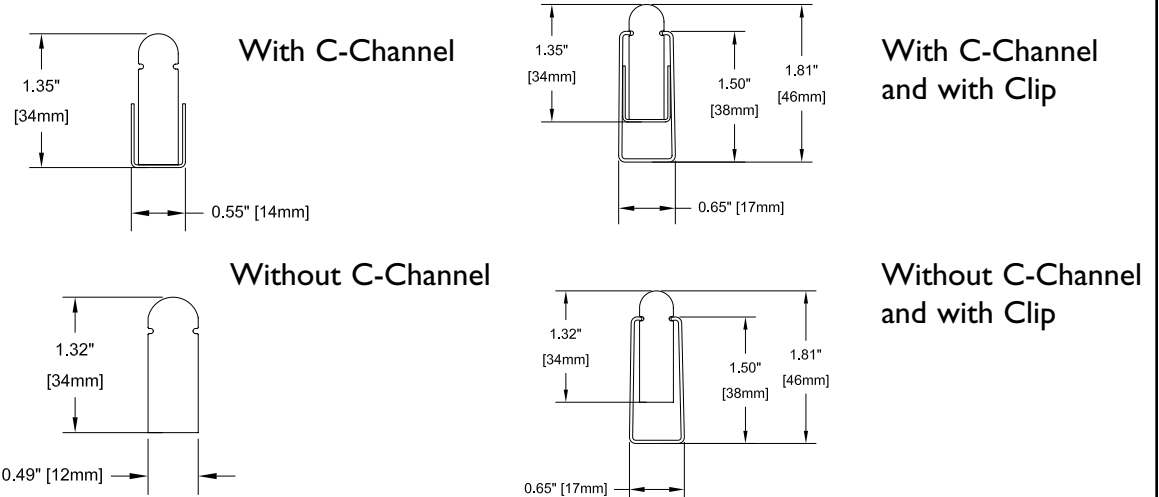
Plexineon White 2X Series

TECHNICAL INFORMATION

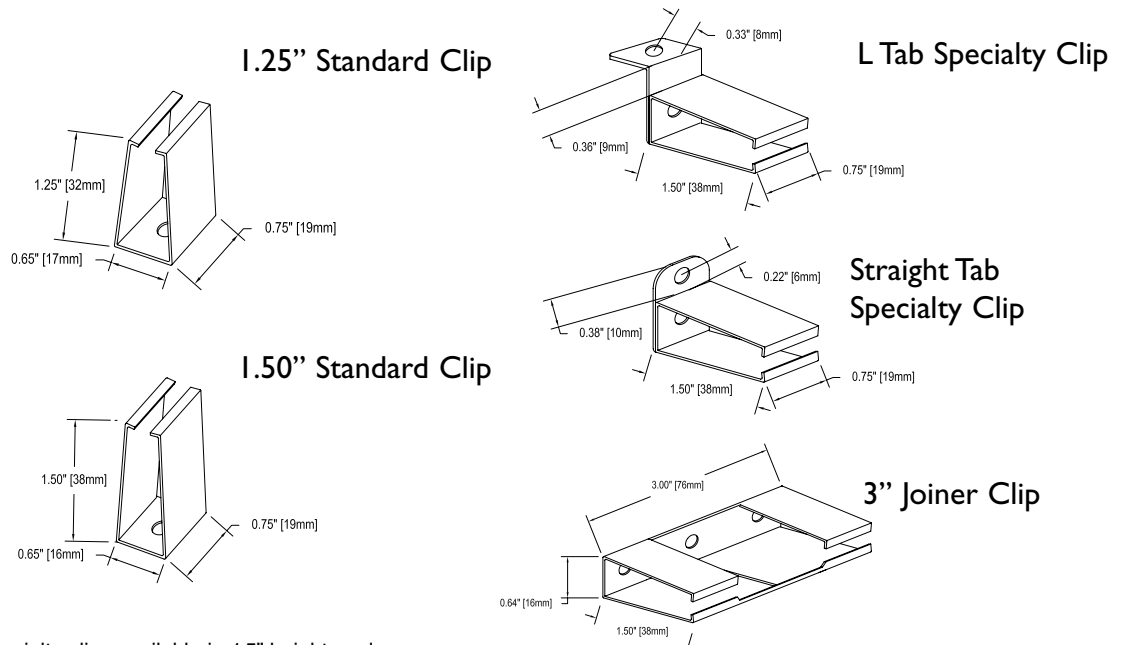
PLEXINEON PROFILE



PLEXINEON CROSS SECTIONS



MOUNTING CLIPS



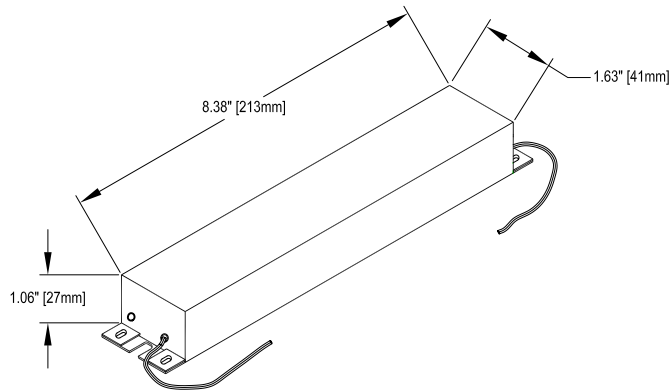
* All specialty clips available in 1.5" heights only.

Plexineon White 2X Series

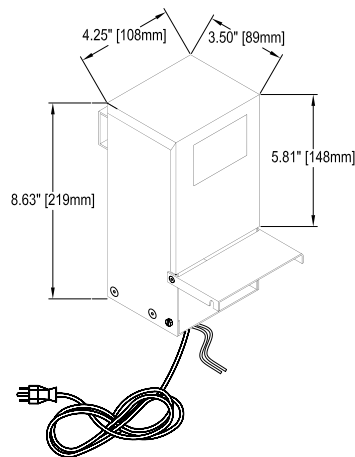
TECHNICAL INFORMATION

Plexineon Power Supplies

ELECTRONIC (ADVANCE)
POWER SUPPLY

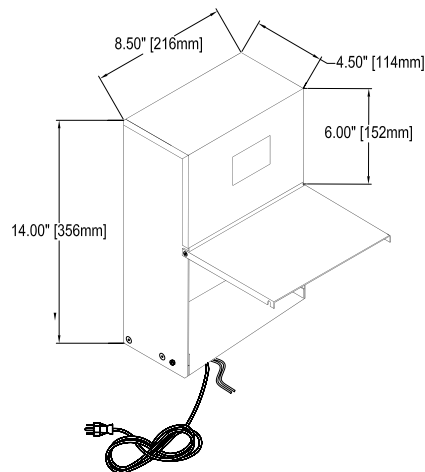


MAGNETIC HYBRID
POWER SUPPLY
IN 3R ENCLOSURE



* This power supply comes with plug & cord

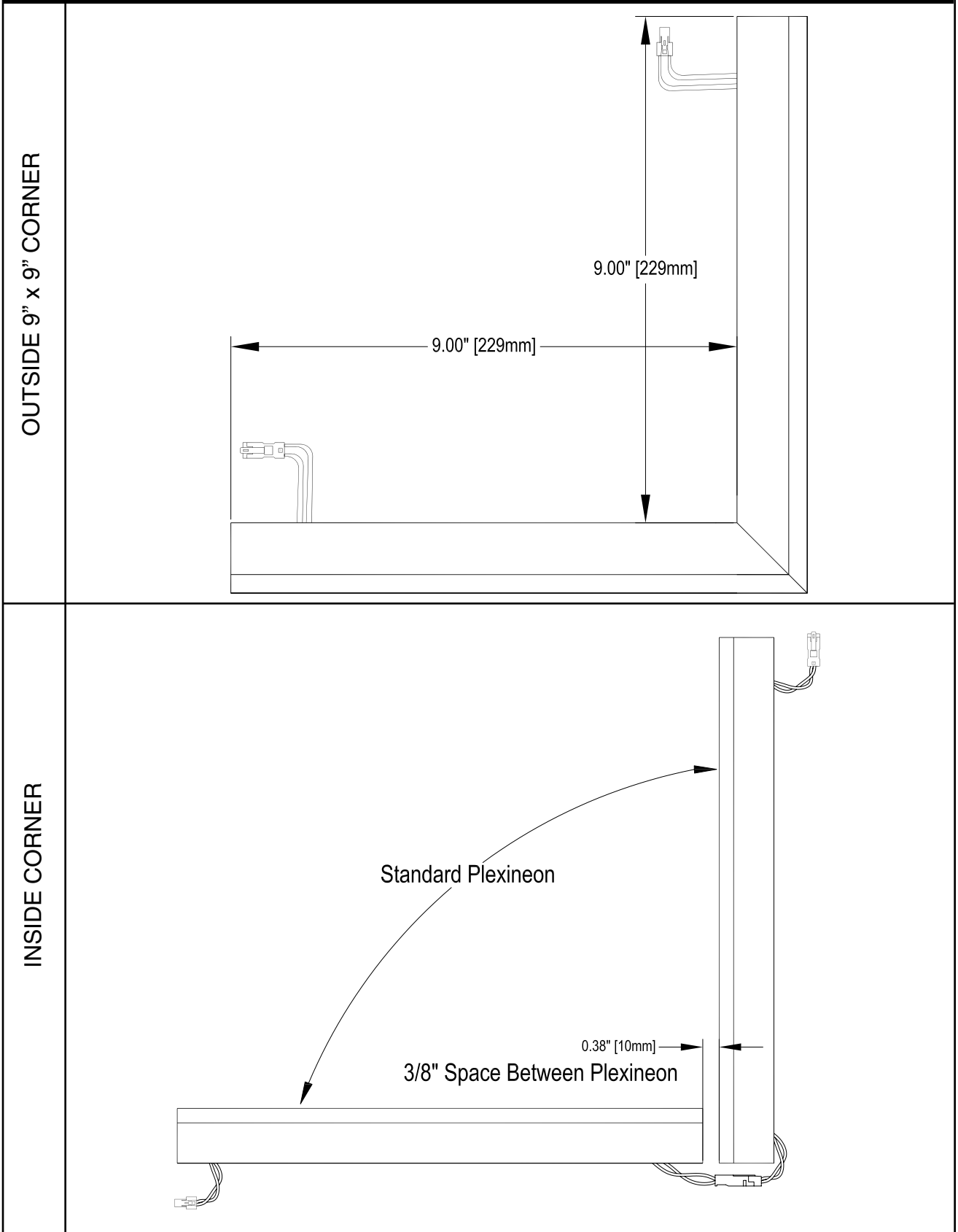
MAGNETIC HYBRID 3-OUTLET
POWER SUPPLY IN 3R ENCLOSURE



* This power supply comes with plug & cord

Plexineon White 2X Series

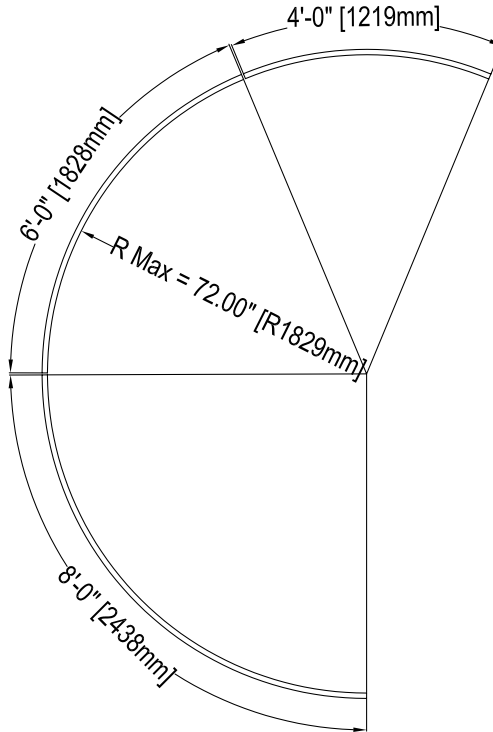
TECHNICAL INFORMATION



Plexineon White 2X Series

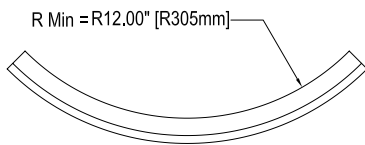
TECHNICAL INFORMATION

PLEXINEON FIELD BENDING^{1 & 2}

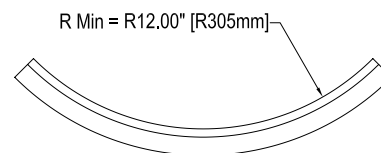


Note 1: Field bending shown in easy direction. Cannot field bend into convex or concave bends.
Note 2: Easy direction refers to bend axis parallel to light direction.

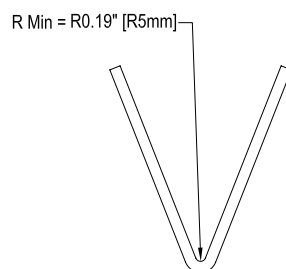
PLEXINEON FACTORY BENDING



Convex



Concave



Easy Bend²