

Plexineon Color Series - Cool Colors

PRODUCT SUMMARY



PRODUCT FEATURES

- Bright, even-toned color
- Durable construction
- Long life
- Energy efficient
- Low voltage
- Easy to install
- Cool to the touch
- Exterior and interior uses: direct view accent, indirect, cove, and counter lighting, signage and more

Light Colors

- Blue
- Teal
- Green

Diffuser Color

- Frosted (when not illuminated)

Lengths Available

- 2', 4', 6', 8' (610 mm, 1220 mm, 1830 mm, 2440 mm)
- 22" field cuttable pieces
- 9" x 9" illuminated outside corner pieces
- Factory custom lengths available to the nearest 1"
- Factory convex or concave bends to minimum inside radius of 5"
- Factory "easy bends" to $\frac{3}{16}$ " radius¹
- Gentle field bends to a 48" radius

Power Supply

- Class 2 24VDC, 100 Watts - must be supplied by iLight
- Primary voltage: 120 or 120-277 depending on model
- Secondary voltage: 24VDC 4.1 A Max
- Maximum illumination length of a single LED power supply: 32 feet or 9.75 meters

Power Supply Tips

- 20% overage for breaker for primary current draw
- Do not plug multiple power supplies into one run of Plexineon
- All iLight power supplies should be on an independent circuit
- Recommend surge protection upstream from power supply
- Verify correct voltage prior to wiring to non-switching power supplies

Low Voltage Cable

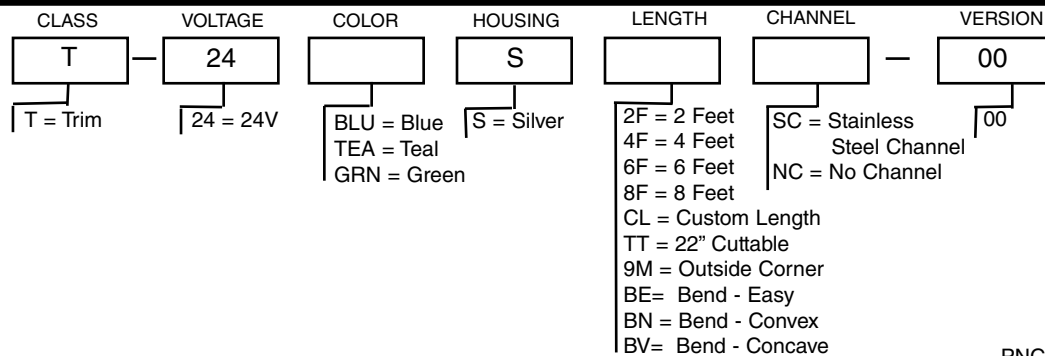
Maximum distance of low voltage cable in any given run:

- 14 AWG: 40 feet or 12.19 meters
- 12 AWG: 60 feet or 18.29 meters
- 10 AWG: 100 feet or 30.48 meters

¹ Drawing required for production

For the most current technical information, please refer to www.ilight-tech.com.

ORDERING INFORMATION



PNCCV1-0508

Plexineon Color Series - Cool Colors

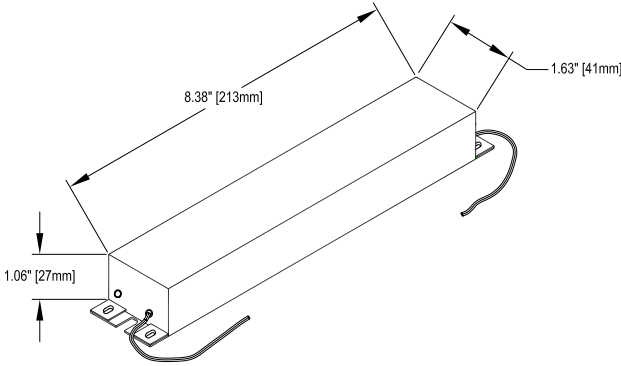
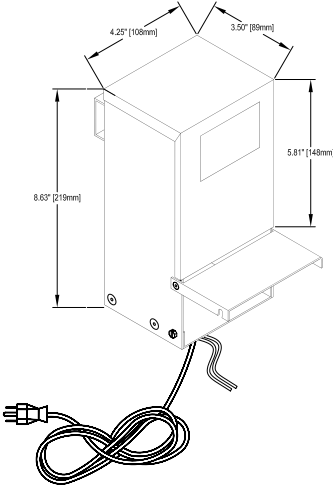
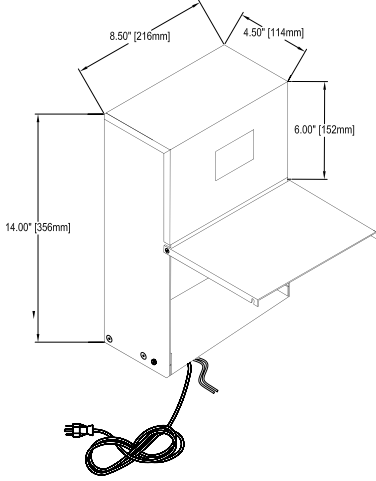
TECHNICAL INFORMATION

MECHANICAL	<p>Width & Height Housing</p> <ul style="list-style-type: none"> • 0.55”(14mm) w x 1.35”(34mm) h (with c-channel) • UV and impact resistant acrylic diffuser • UV resistant plastic channel • Stainless steel c-channel for mechanical support <p>Minimum Piece Spacing</p> <ul style="list-style-type: none"> • Linear (end to end) = $\frac{3}{8}$” • Parallel (edge to edge) = 1” <p><small>*The minimum space for ventilation surrounding the Plexineon product is 1.0”. This distance should be maintained on the three sides, left and right of the product as well as in front of product. Other configurations subject to specific application testing.</small></p>	<p>Mounting</p> <ul style="list-style-type: none"> • Stainless steel spring mounted clips • Clips to be 2” in from end of piece and no more than 2’ maximum between clips <p>Power Supply Weight</p> <ul style="list-style-type: none"> • Electronic (Advance) Power Supply is 2 lbs. • Outdoor Magnetic Hybrid Power Supply is 9 lbs. <p>Power Supply Dimensions</p> <ul style="list-style-type: none"> • Electronic (Advance) = 9½” x 1¼” x 1¾” • Outdoor Magnetic Hybrid= 8⅝” x 3½” x 4¼”
ELECTRICAL	<p>Load Voltage 24V DC</p> <p>Load Current 108 mA/foot at 24VDC</p> <p>Maximum Run Length 32 feet with an iLight approved power supply</p>	<p>DC Cable</p> <ul style="list-style-type: none"> • 14 AWG, PVC/Nylon Type TC 600 Volt power and control cable or equivalent • FT-4 fire rating • Class 2 wiring system • Connectors: Molex Splashproof - JIS D0203 S2 <p>Electrical Tips</p> <ul style="list-style-type: none"> • Only use iLight approved transformers • Do not cut non-cuttable pieces
ENVIRONMENTAL	<p>Operating Temperature Range -25°C to 50°C (-13°F to 122°F)</p> <p>Storage Temperature Range -25°C to 75°C (-13°F to 167°F)</p>	<p>Certification</p> <ul style="list-style-type: none"> • Plexineon is MetLabs listed. Metlabs is a Nationally Recognized Testing Laboratory (NTRL). Complies with UL 1598 and CSA c22.2 No. 250 in Luminaire, Wet listed. • Power Supplies are RU listed. RU stands for Recognized Components by Underwriters Laboratory.

TECHNICAL INFORMATION

<p>PLEXINEON PROFILE</p>	<p style="text-align: center;">WITH C-CHANNEL</p>
<p>PLEXINEON CROSS SECTIONS</p>	<div style="display: flex; flex-wrap: wrap;"> <div style="width: 50%;"> <p style="text-align: center;">With C-Channel</p> </div> <div style="width: 50%;"> <p style="text-align: center;">With C-Channel and with Clip</p> </div> <div style="width: 50%;"> <p style="text-align: center;">Without C-Channel</p> </div> <div style="width: 50%;"> <p style="text-align: center;">Without C-Channel and with Clip</p> </div> </div>
<p>MOUNTING CLIPS</p>	<div style="display: flex; flex-wrap: wrap;"> <div style="width: 50%;"> <p style="text-align: center;">1.25\" Standard Clip</p> </div> <div style="width: 50%;"> <p style="text-align: center;">L Tab Specialty Clip</p> </div> <div style="width: 50%;"> <p style="text-align: center;">1.50\" Standard Clip</p> </div> <div style="width: 50%;"> <p style="text-align: center;">Straight Tab Specialty Clip</p> </div> <div style="width: 50%;"> <p style="text-align: center;">3\" Joiner Clip</p> </div> </div> <p>* All specialty clips available in 1.5\" heights only.</p>

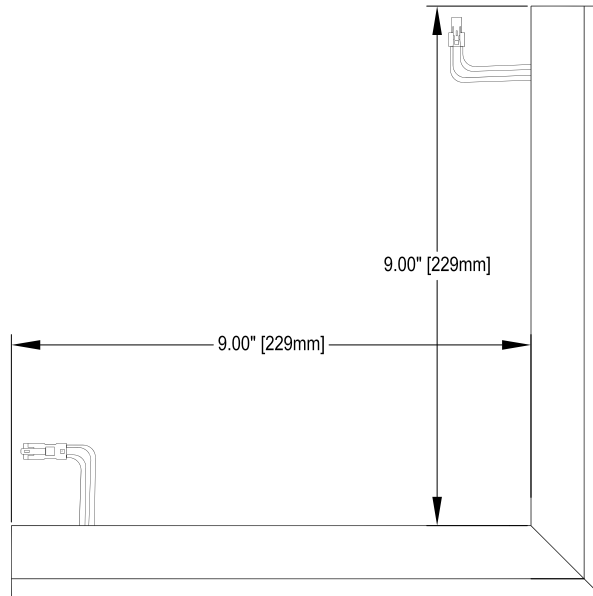
Plexineon Color Series -Cool Colors

TECHNICAL INFORMATION	
Plexineon Power Supplies	
ELECTRONIC (ADVANCE) POWER SUPPLY	
MAGNETIC HYBRID POWER SUPPLY IN 3R ENCLOSURE	 <p style="text-align: right;">* This power supply comes with plug & cord</p>
MAGNETIC HYBRID 3-OUTLET POWER SUPPLY IN 3R ENCLOSURE	 <p style="text-align: right;">* This power supply comes with plug & cord</p>

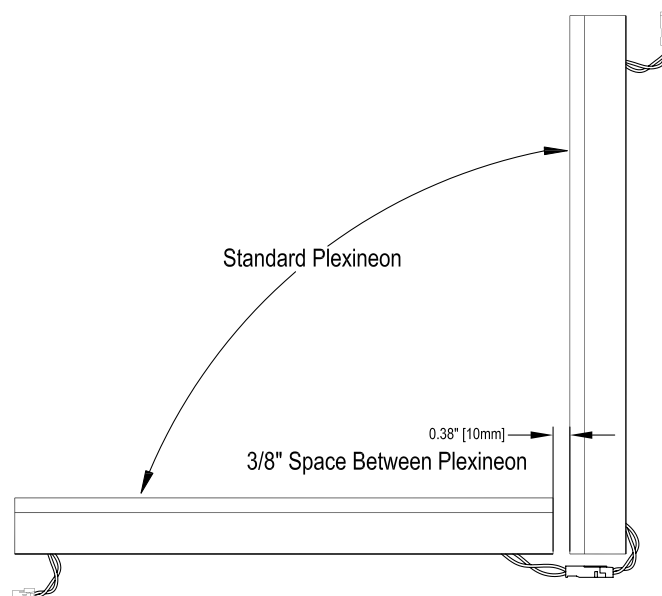
Plexineon Color Series - Cool Colors

TECHNICAL INFORMATION

OUTSIDE 9" x 9" CORNER



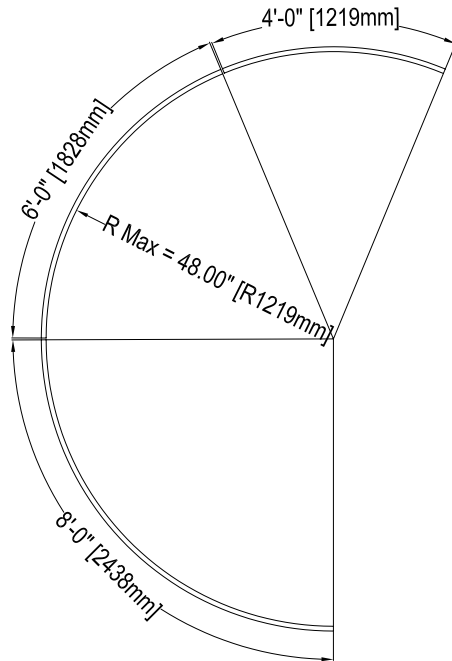
INSIDE CORNER



Plexineon Color Series - Cool Colors

TECHNICAL INFORMATION

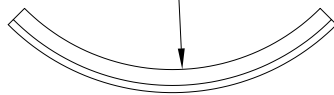
PLEXINEON FIELD BENDING^{1 & 2}



Note 1: Field bending shown in easy direction. Cannot field bend into convex or concave bends.
Note 2: Easy direction refers to bend axis parallel to light direction.

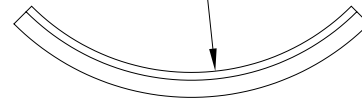
PLEXINEON FACTORY BENDING

R Min = R5.00" [R127mm]



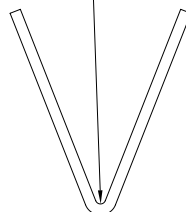
Convex

R Min = R5.00" [R127mm]



Concave

R Min = R0.19" [R5mm]



Easy Bend²