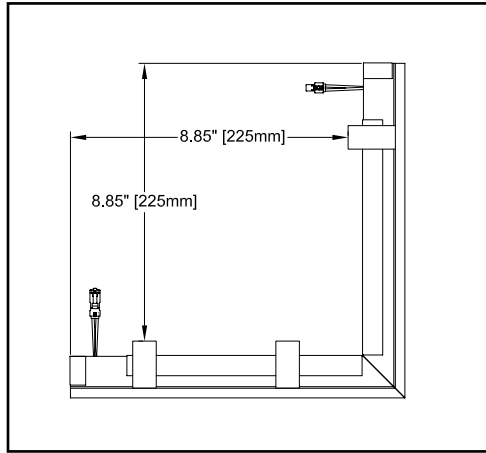


Plexineon White 1X Outside Corner

PRODUCT SUMMARY



PRODUCT FEATURES

- Perfect for outside corners of buildings or other surfaces
- Bright, even-toned color
- Durable construction
- Mitered edge for sharp look
- Easy to install

Light Colors

- 3500°K
- 4500°K
- 6500°K

Diffuser Color

- Light amber hue (when not illuminated)

Backing Colors

- Silver

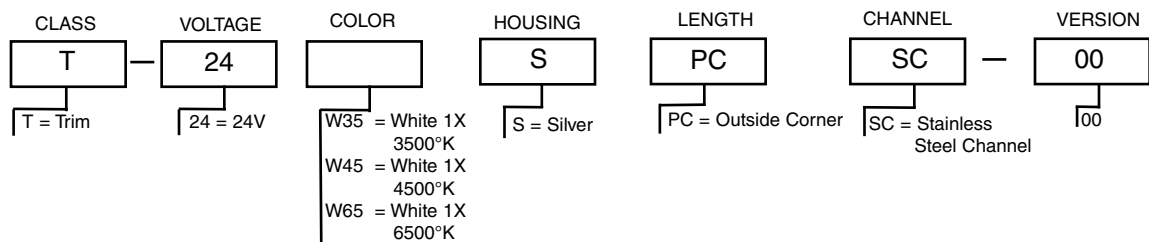
Width & Height Housing

- 0.55" (14mm) w x 1.40" (34mm) h (with C-channel)
- UV and impact resistant acrylic diffuser
- UV resistant plastic channel
- Stainless steel C-channel for mechanical support
- 8.85" X 8.85" (225mm X 225mm) inside corner measurements

Mounting

- Stainless steel spring mounted clips
- Clips should be 2" (51mm) in from end of piece and one on the mitered edge for a total of 3 clips.

ORDERING INFORMATION



Specification sheets are subject to change without notice. For the most recent version, please refer to www.ilight-tech.com.