

# Plexineon Corner Cuttable Fixture

## PRODUCT SUMMARY

### Plexineon Corner Cuttable Fixture

#### Light Colors

- Red

#### Diffuser Color

(when not illuminated)

- Frosted
- Red\*

#### Lengths Available

- 2' (610mm)

#### Intended Use

- Designed for the best functionality of a corner fixture and a cuttable fixture together

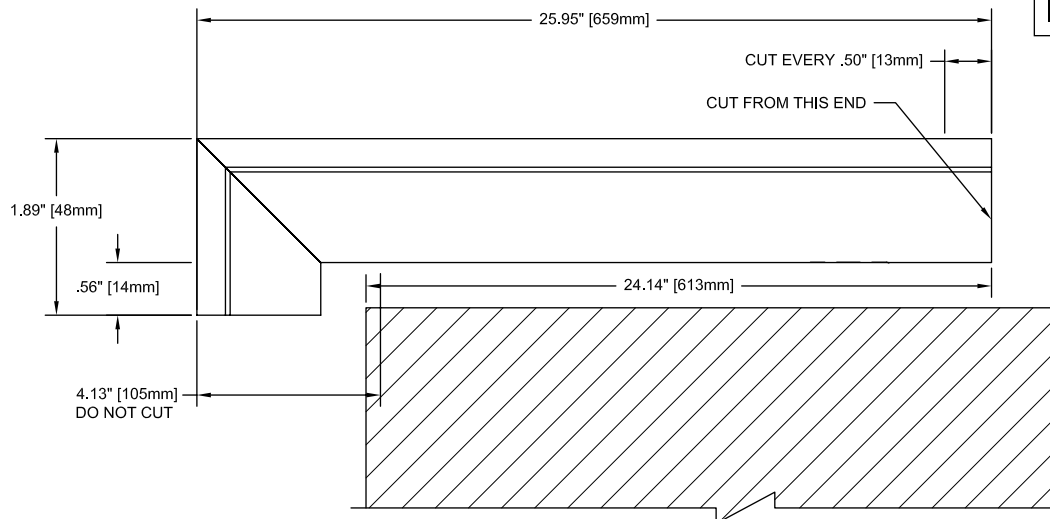
#### Features

- Fixture is cuttable in 1/2" (13mm) increments
- Provided with electronic grade silicone sealant, exterior grade wire nuts, and plastic C-channel for wire management

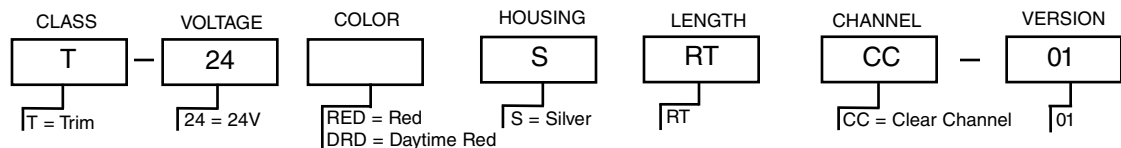
\* For Daytime Red

### Plexineon Corner 2' (610mm) Cuttable

Cuttable  
every 1/2"



## ORDERING INFORMATION



Specification sheets are subject to change without notice. For the most recent version, please refer to [www.ilight-tech.com](http://www.ilight-tech.com).