

Vertical Plexineon Specialty 1.50" Mounting Clip

PRODUCT SUMMARY

Vertical Plexineon Specialty 1.50" Clip

Size

- 1.50" (38mm) tall
- Screw placement hole: $\frac{7}{32}$ " in diameter

Material

- Stainless steel

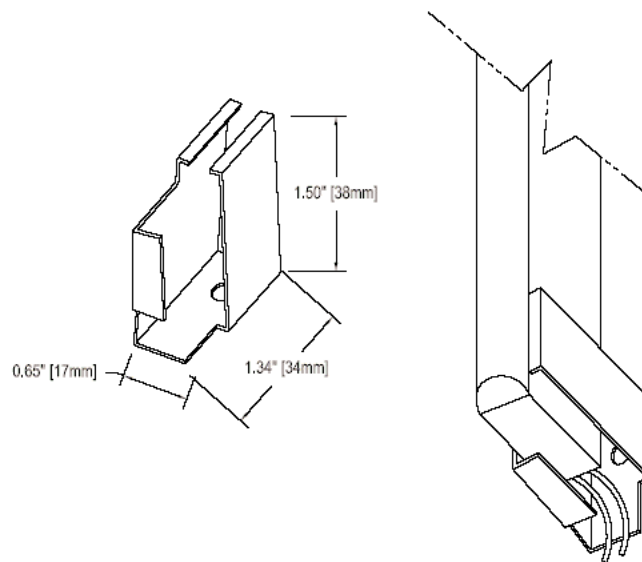
Color Available

- Silver

Use

- Designed for vertical mounting surfaces
- To be used on the bottom of every vertical fixture, or use at the bottom of a vertical run when used in combination with the 3.00" Vertical Joiner Mounting Clip
- For use on fixtures with and without supportive c-channel

Vertical Plexineon Specialty 1.50" Mounting Clip Diagram



ORDERING INFORMATION

Ordering Number:	75-CLP20-001-00	Single clip
	75-CLP20-010-00	Bag of 10 clips

Specification sheets are subject to change without notice. For the most recent version, please refer to www.ilight-tech.com.

Product Application

Plexineon