

Plexineon Standard 1.50" Mounting Clip

PRODUCT SUMMARY

Plexineon Standard 1.50" Clip

Size

- 1.50" (38mm) tall
- Screw placement hole: $\frac{7}{32}$ " in diameter

Material

- Stainless steel

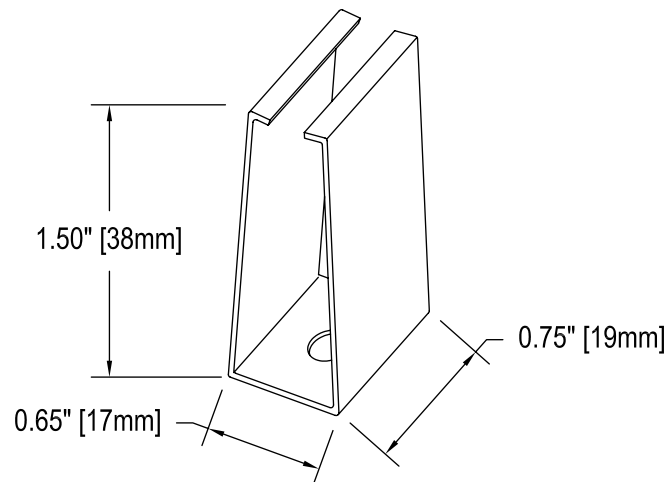
Color Available

- Silver

Use

- Mounting bracket to connect fixtures to surface
- For use on fixtures with and without supportive c-channel

Plexineon Standard 1.50" Mounting Clip Diagram



ORDERING INFORMATION

Ordering Number:	75-CLPI6-001-00	Single clip
	75-CLPI6-050-00	Bag of 50 clips

Specification sheets are subject to change without notice. For the most recent version, please refer to www.ilight-tech.com.

Product Application

Plexineon