

Hypnotica iS Vertical End Clip

PRODUCT SUMMARY

Hypnotica iS Vertical End Clip

Size

- 2.43" (62mm) tall by 2.83" (72mm) wide
- Screw placement hole: $\frac{7}{32}$ " in diameter

Use

- For use at the bottom of a run in vertical mounting applications

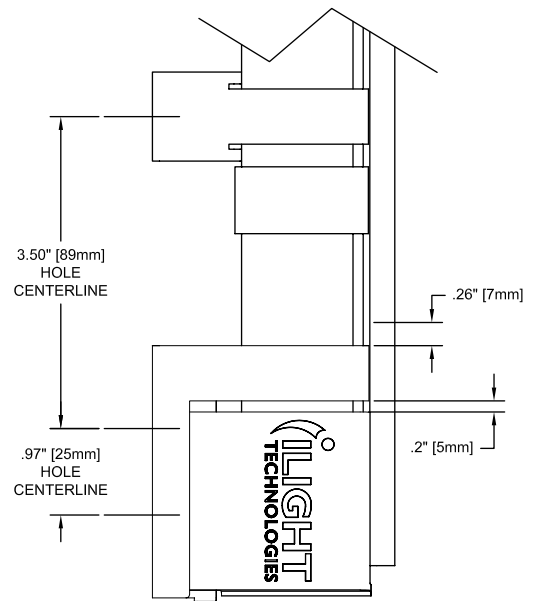
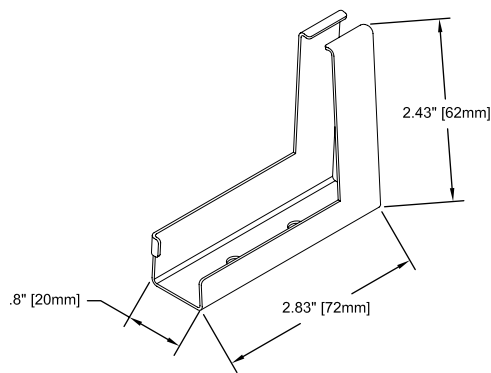
Material

- Stainless steel

Color Available

- Silver

Hypnotica iS Vertical End Clip Diagram



Application

ORDERING INFORMATION

Ordering Number:	75-CLPI2-001-00 75-CLPI2-025-00	Single clip Bag of 25 clips
------------------	------------------------------------	--------------------------------

Specification sheets are subject to change without notice. For the most recent version, please refer to www.ilight-tech.com.

Product Application
Hypnotica iS