

Hypnotica iS Standard Clip

PRODUCT SUMMARY

Hypnotica iS Standard Clip

Size

- 2.43" (62mm) tall by 1.00" (25mm) wide
- Screw placement hole: $\frac{7}{32}$ " in diameter

Use

- Mounting bracket to connect fixtures to surface

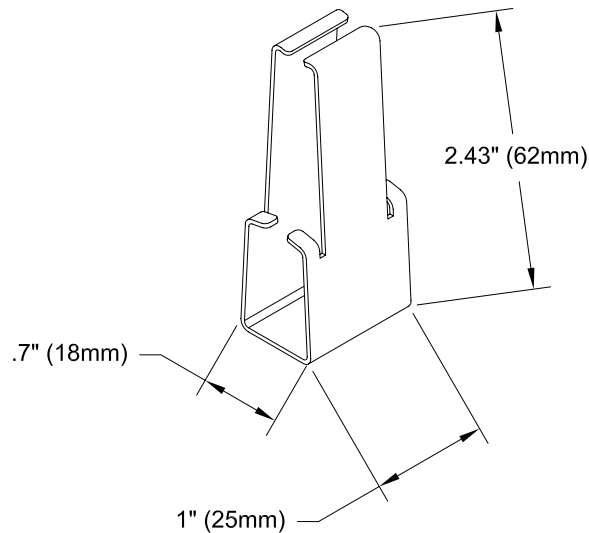
Material

- Stainless steel

Color Available

- Silver

Hypnotica iS Standard Clip Diagram



ORDERING INFORMATION

Ordering Number:	75-CLPI I-001-00	Single clip
	75-CLPI I-050-00	Bag of 50 clips

Specification sheets are subject to change without notice. For the most recent version, please refer to www.ilight-tech.com.

Product Application

Hypnotica iS