

Hypnotica iS Joiner Clip

PRODUCT SUMMARY

Hypnotica iS Joiner Clip

Size

- 2.43" (62mm) tall by 5.86" (149mm) wide
- Screw placement hole: $\frac{7}{32}$ " in diameter

Material

- Stainless steel

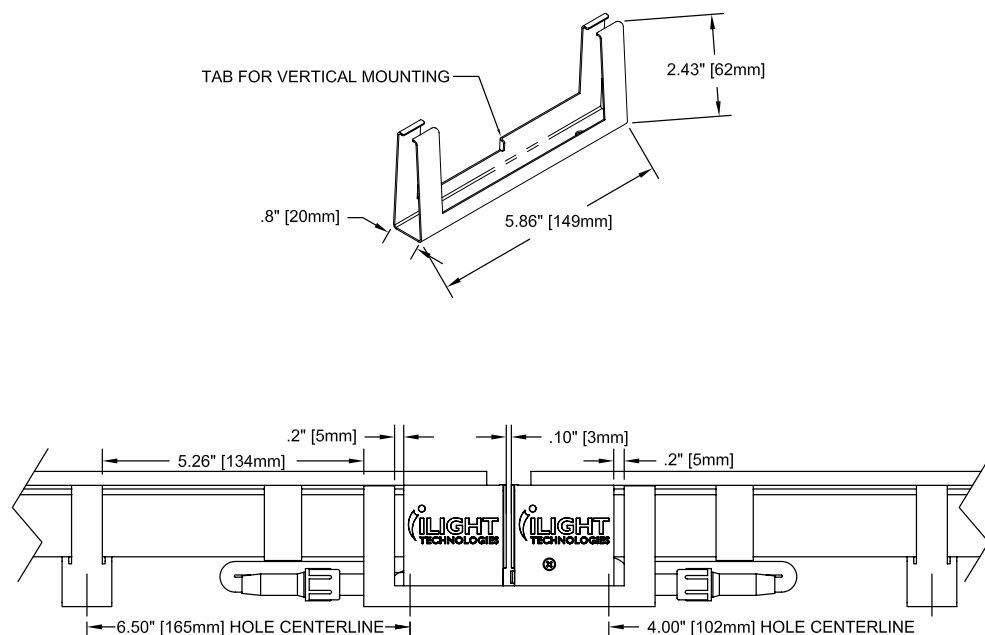
Color Available

- Silver

Use

- Mounting bracket to connect one fixture to an adjacent fixture and to keep in-line
- Wire management for DMX and power connections
- Built-in tab for vertical applications

Hypnotica iS Joiner Clip Diagram



Application

ORDERING INFORMATION

Ordering Number:	75-CLP09-001-00	Single clip
	75-CLP09-025-00	Bag of 25 clips

Specification sheets are subject to change without notice. For the most recent version, please refer to www.ilight-tech.com.