

Controller - Rerun Architectural

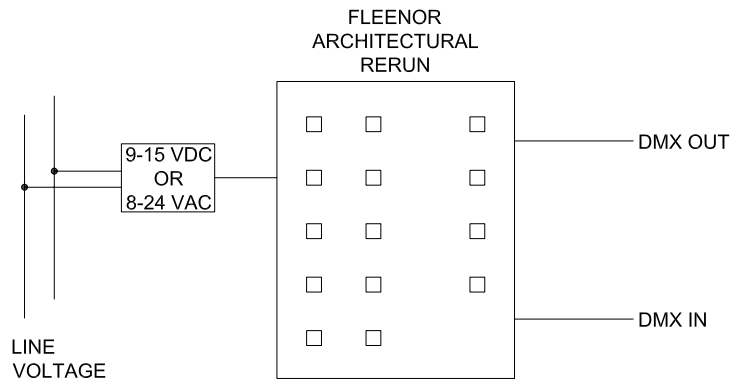
Doug Fleenor Designs Rerun Architectural



The Rerun Architectural is a lighting control station capable of storing up to ten 40-minute shows. Shows are recorded by capturing the output of a DMX512 console. The recorded show start and end points may be trimmed non-destructively. Each show can be set to hold the last look, loop to itself or link to another show. Shows are started by pressing one of the ten show buttons.

The basic system consists of a Rerun Architectural station and a power supply. The solid aluminum faceplate is designed to install over a standard two gang electrical box. Single gang remote stations can be added to remotely select shows. Connections to the Rerun Architectural are power (2 wires), DMX512 Input (3 wires) and DMX512 Output (3 wires). Power for the Rerun Architectural can be supplied from a variety of sources, including a 10V class 2 "doorbell" transformer.

The Rerun Architectural system can work in conjunction with a lighting console, automatically switching between recorded shows and console control. When the console generates DMX512 the Rerun Architectural retransmits the incoming DMX512 data. Thus the console operates normally. Upon loss of DMX512 from the console, the Rerun Architectural starts its previous show.



ORDERING INFORMATION

Ordering Number: 65-CTR02-001-00

Applications

- Installs over a standard two gang electrical box
- Permanent installation
- Plays 10 shows (animations)
- 9 to 15 VDC or 8 to 24 VAC power in

Specification sheets are subject to change without notice. For the most recent version, please refer to www.ilight-tech.com.

Product Application

Hypnotica iS

Controller - Rerun Architectural

Doug Fleenor Designs Rerun Architectural

SPECIFICATIONS

Connector: Terminal block #1
Phoenix Contact MSTB series
5 position two part terminal block
Model: MSTB 2,5/5-ST-5,08
Order number: 17 57 04 8

Terminal block #2
Phoenix Contact MSTB series
3 position two part terminal block
Model: MSTB 2,3-G-5,08
Order number: 17 55 74 9

Connector pin out: Terminal Block #1 (DMX512 Output)

1 (C) DMX512 common

2 (-) DMX512 data -

3 (+) DMX512 data +

4 (C) Supply common

(internally tied to pin1)

5 (V) Supply voltage "hot"

Terminal Block #2 (DMX512 Input)

1 (C) DMX512 common

2 (-) DMX512 data -

3 (+) DMX512 data +

Input circuit: ESD protected EIA-485 transceiver (LT1785)

Output circuit: ESD protected EIA-485 transceiver (LT1785)

Isolation: None. DMX input is not isolated from DMX output.

Indicators: Ten green SHOW LEDs

One green PAUSE LED

One green LOOP LED

One yellow START LED

One yellow END LED

One red INPUT/RECORD LED

User controls: Ten [SHOW] buttons

One [PAUSE] button

One [LOOP] button

One [REWIND] button

One [FORWARD] button

One recessed [RECORD] button

Option jumpers: INSTALLED REMOVED

JP1 Recording enabled Recording/editing disabled

JP2 Run show on DMX512 loss Hold last look on DMX512 loss

JP3 Normal operation Run hardware test

JP4 Normal operation Disable operation

JP5 Unused Unused

JP6 Normal operation Erase Memory (DANGER!)

Power input: 9 to 15 volts DC or 8 to 24 volts AC / 150mA per station

(A 10 volt class 2 "doorbell" transformer is recommended for fixed installations)

Color: Black anodized, with silver engraved nomenclature

Size : Faceplate: 4.5"h X 4.6"w X 0.2"d

Faceplate rear inset: 4.15"h X 4.25"w X 0.1"d

Electrical box minimum inside dimensions: 2.9"h X 3.5"w X 1.5"d